

OFFICE EXTENSION BUILDING

HAA. ALIFU. ATOLL COUNCIL

PROPOSED SINGLE STOREY BUILDING

DATE : MAY 2023

ARCHITECT : AHUSAN ABDUL MUHUSHIN
ENGINEER : AHMED NAFIU



ANOVA

✉ anova.mv@gmail.com
☎ 797 2992 , 910 0623

GENERAL		
NO.	DRAWING TITLE	DRAWING NO.
01	DRAWING LIST	G - 1.01

ARCHITECTURAL SERIES		
NO.	DRAWING TITLE	DRAWING NO.
02	SITE PLAN	A - 2.01
03	GROUND FLOOR PLAN	A - 2.02
04	ROOF PLAN	A - 2.03
05	TOILET AREA	A - 2.04
06	ELEVATION - A	A - 3.01
07	ELEVATION - B	A - 3.02
08	SECTION - X	A - 4.01
09	ARCHITECTURAL DETAILS - 1	A - 5.01
10	ARCHITECTURAL DETAILS - 2	A - 5.02
11	ARCHITECTURAL DETAILS - 3	A - 5.03
12	ARCHITECTURAL DETAILS - 4	A - 5.04
13	DOOR WINDOW SCHEDULE - 1	A - 6.01
14	DOOR WINDOW SCHEDULE - 2	A - 6.02

STRUCTURAL SERIES		
NO.	DRAWING TITLE	DRAWING NO.
15	GENERAL NOTES	S - 1.01
16	FOUNDATION & COLUMN PLAN	S - 2.01
17	SLAB BEAM PLAN & SLAB REINFORCEMENT PLAN	S - 2.02
18	CEILING PLAN	S - 2.03
19	STAIR DETAILS	S - 2.04
20	STRUCTURAL DETAILS - 1	S - 5.01
21	STRUCTURAL DETAILS - 2	S - 5.02
22	STRUCTURAL DETAILS - 3	S - 5.03
23	STRUCTURAL DETAILS - 4	S - 5.04
24	STRUCTURAL DETAILS - 5	S - 5.05

ELECTRICAL SERIES		
NO.	DRAWING TITLE	DRAWING NO.
23	GROUND FLOOR LIGHTING PLAN	E - 2.01
24	GROUND FLOOR POWER, TELECOM & IT PLAN	E - 2.02
25	GROUND FLOOR ACMV PLAN	E - 2.03

NOTE :

G = GENERAL
A = ARCHITECTURAL
S = STRUCTURAL
E = ELECTRICAL
P = PLUMBING
F = FIRE PROTECTION

1 = GENERAL
2 = PLANS
3 = ELEVATIONS
4 = SECTIONS
5 = DETAILS
6 = SCHEDULES

DRAWING LIST

GENERAL NOTES
- Do not scale the drawings.
- All dimensions are in millimeters unless noted otherwise.
- All dimensions are indicative, and must be confirmed at the site by the contractor.



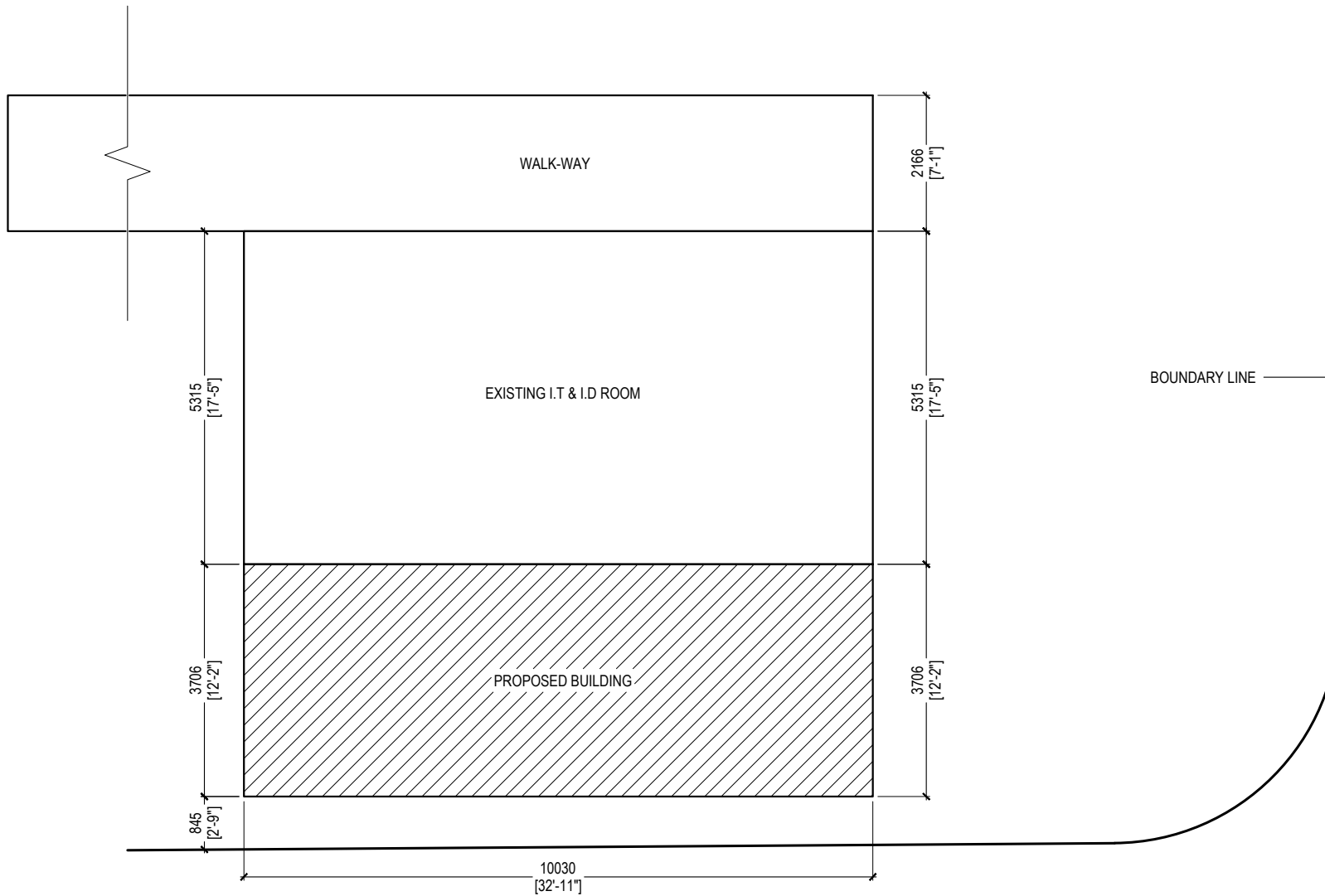
M. HONEY SEASON 2, 2ND FLOOR,
FULOONIYA GOALHI, MALE,
REPUBLIC OF MALDIVES
anova.mv@gmail.com
797 2992 , 910 0623
© anova 2023

CLIENT HAA. ALIFU. ATOLL COUNCIL
PROJECT NAME OFFICE EXTENSION BUILDING
LOCATION H.A. DHIDHDHOO
DRAWING TITLE DRAWING LIST

DESIGN STAGE		
<input type="radio"/> CONCEPTUAL DESIGN <input type="radio"/> BUILDING APPROVAL <input checked="" type="radio"/> CONSTRUCTION DRAWINGS <input type="radio"/> AS-BUILT DOCUMENTATION		
DRAWN BY NIHAAD	DESIGN BY NIHAAD	CHECKED BY AHUSAN
DISCIPLINE GENERAL	SHEET SIZE A4	SCALE NA

REV	DESCRIPTION	DATE
00	INCEPTION	05/09/2023
01	REVISION	06/08/2023

FIRST EMISSION MAY 09, 2023	DRAWING NUMBER G-1.01
UPDATE ---	



SITE PLAN

SCALE - 1:100

GENERAL NOTES
 - Do not scale the drawings.
 - All dimensions are in millimeters unless noted otherwise.
 - All dimensions are indicative, and must be confirmed at the site by the contractor.



M. HONEY SEASON 2, 2ND FLOOR,
 FULOONIYA GOALHI, MALE,
 REPUBLIC OF MALDIVES
 anova.mv@gmail.com
 797 2992 , 910 0623
 © anova 2023

CLIENT HAA. ALIFU. ATOLL COUNCIL
PROJECT NAME OFFICE EXTENSION BUILDING
LOCATION H.A. DHIDHDHOO
DRAWING TITLE SITE PLAN

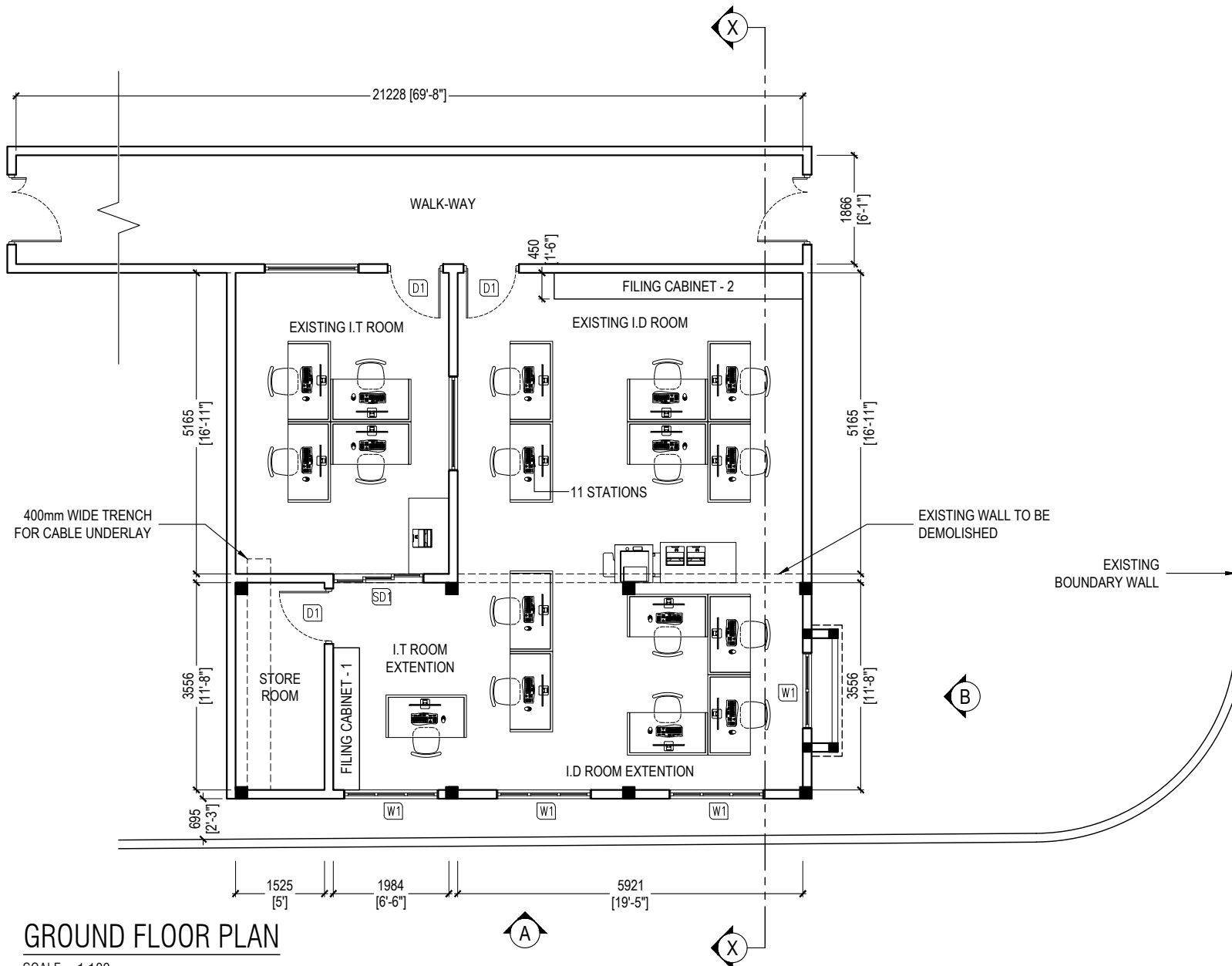
DESIGN STAGE
<input type="radio"/> CONCEPTUAL DESIGN <input type="radio"/> BUILDING APPROVAL <input checked="" type="radio"/> CONSTRUCTION DRAWINGS <input type="radio"/> AS-BUILT DOCUMENTATION

DRAWN BY NIHAAD	DESIGN BY NIHAAD	CHECKED BY AHUSAN
--------------------	---------------------	----------------------

DISCIPLINE ARCHITECTURAL	SHEET SIZE A4	SCALE 1:100
-----------------------------	------------------	----------------

REV	DESCRIPTION	DATE
00	INCEPTION	05/09/2023
01	REVISION	06/08/2023

FIRST EMISSION MAY 09, 2023	DRAWING NUMBER A-2.01
UPDATE ---	



GROUND FLOOR PLAN

SCALE - 1:100

GENERAL NOTES
 - Do not scale the drawings.
 - All dimensions are in millimeters unless noted otherwise.
 - All dimensions are indicative, and must be confirmed at the site by the contractor.



ANOVA
 M. HONEY SEASON 2, 2ND FLOOR,
 FULOONIYA GOALHI, MALE,
 REPUBLIC OF MALDIVES
 anova.mv@gmail.com
 797 2992, 910 0623
 © anova 2023

CLIENT	HAA. ALIFU. ATOLL COUNCIL
PROJECT NAME	OFFICE EXTENSION BUILDING
LOCATION	H.A. DHIDHDHOO
DRAWING TITLE	GROUND FLOOR PLAN

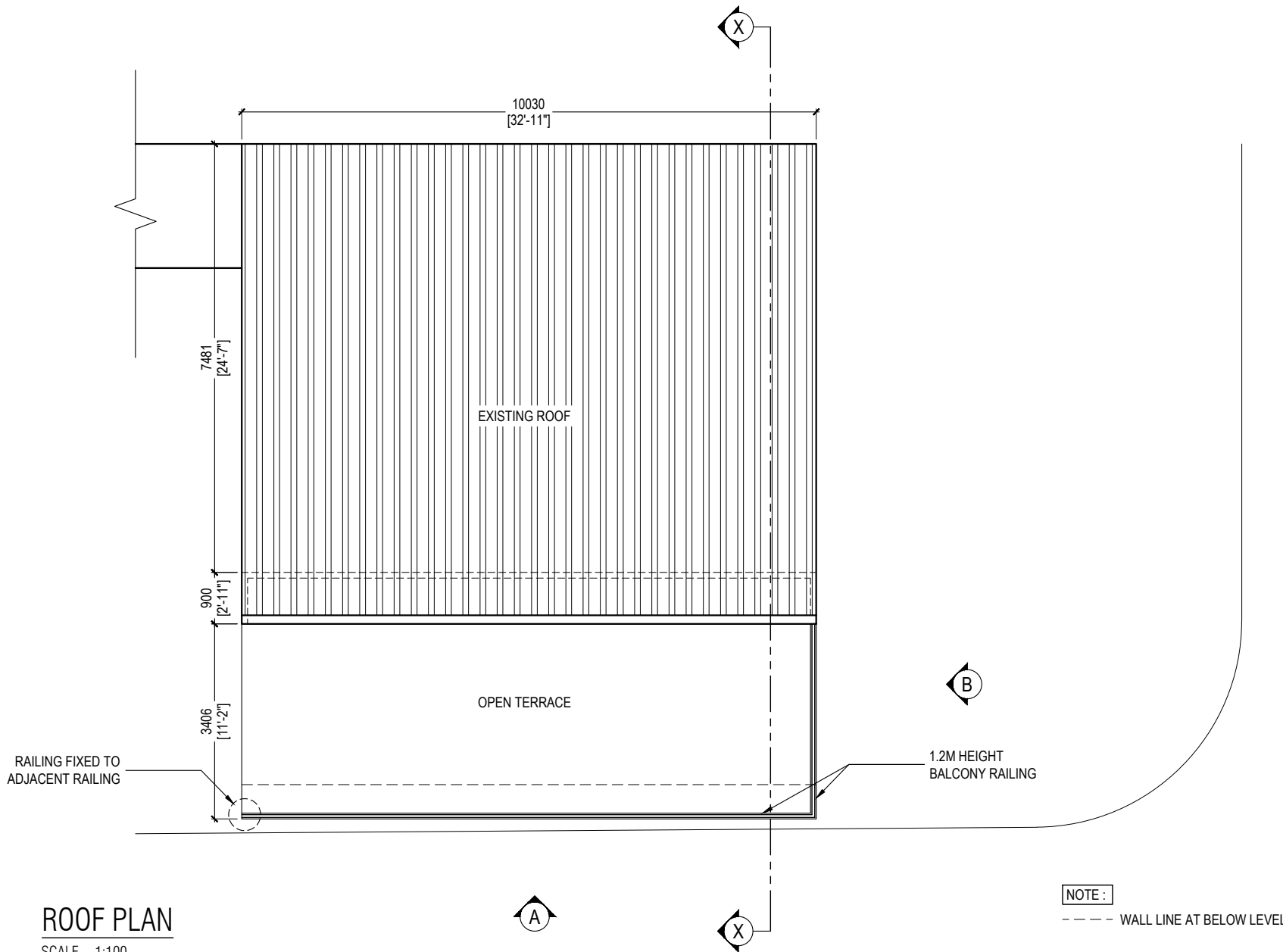
DESIGN STAGE

- CONCEPTUAL DESIGN
- BUILDING APPROVAL
- CONSTRUCTION DRAWINGS
- AS-BUILT DOCUMENTATION

DRAWN BY	DESIGN BY	CHECKED BY
NIHAAD	NIHAAD	AHUSAN
DISCIPLINE	SHEET SIZE	SCALE
ARCHITECTURAL	A4	1:100

REV	DESCRIPTION	DATE
00	INCEPTION	05/09/2023
01	REVISION	06/08/2023

FIRST EMISSION	DRAWING NUMBER
MAY 09, 2023	A-2.02
UPDATE	
---	---



ROOF PLAN

SCALE - 1:100

GENERAL NOTES

- Do not scale the drawings.
- All dimensions are in millimeters unless noted otherwise.
- All dimensions are indicative, and must be confirmed at the site by the contractor.



M. HONEY SEASON 2, 2ND FLOOR,
FULOONIYA GOALHI, MALE,
REPUBLIC OF MALDIVES

anova.mv@gmail.com
797 2992 , 910 0623

© anova 2023

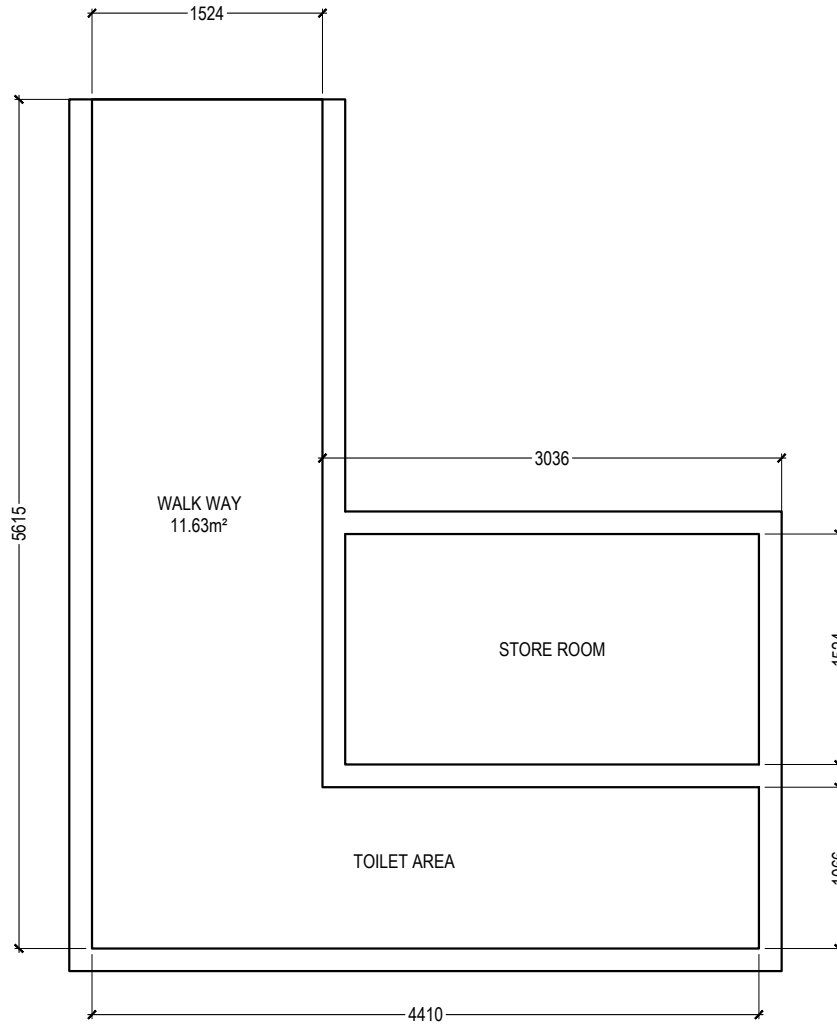
CLIENT	HAA. ALIFU. ATOLL COUNCIL
PROJECT NAME	OFFICE EXTENSION BUILDING
LOCATION	H.A. DHIDHDHOO
DRAWING TITLE	ROOF PLAN

DESIGN STAGE	<input type="radio"/> CONCEPTUAL DESIGN <input type="radio"/> BUILDING APPROVAL <input checked="" type="radio"/> CONSTRUCTION DRAWINGS <input type="radio"/> AS-BUILT DOCUMENTATION
--------------	----------------------------------------------------------------------------------------------------------------------------------------------------------------------------------------------

DRAWN BY	DESIGN BY	CHECKED BY
NIHAAD	NIHAAD	AHUSAN
DISCIPLINE	SHEET SIZE	SCALE
ARCHITECTURAL	A4	1:100

REV	DESCRIPTION	DATE
00	INCEPTION	05/09/2023
01	REVISION	06/08/2023

FIRST EMISSION	DRAWING NUMBER
MAY 09, 2023	A-2.03
UPDATE	
---	---



WALK-WAY TO TOILETS

SCALE - 1:50

GENERAL NOTES
 - Do not scale the drawings.
 - All dimensions are in millimeters unless noted otherwise.
 - All dimensions are indicative, and must be confirmed at the site by the contractor.


ANOVA
 M. HONEY SEASON 2, 2ND FLOOR,
 FULOONIYA GOALHI, MALÉ,
 REPUBLIC OF MALDIVES
 anova.mv@gmail.com
 797 2992 , 910 0623
 © anova 2023

CLIENT	HAA. ALIFU. ATOLL COUNCIL
PROJECT NAME	OFFICE EXTENSION BUILDING
LOCATION	H.A. DHIDHDHOO
DRAWING TITLE	WALK-WAY TO TOILETS CEILING AREA

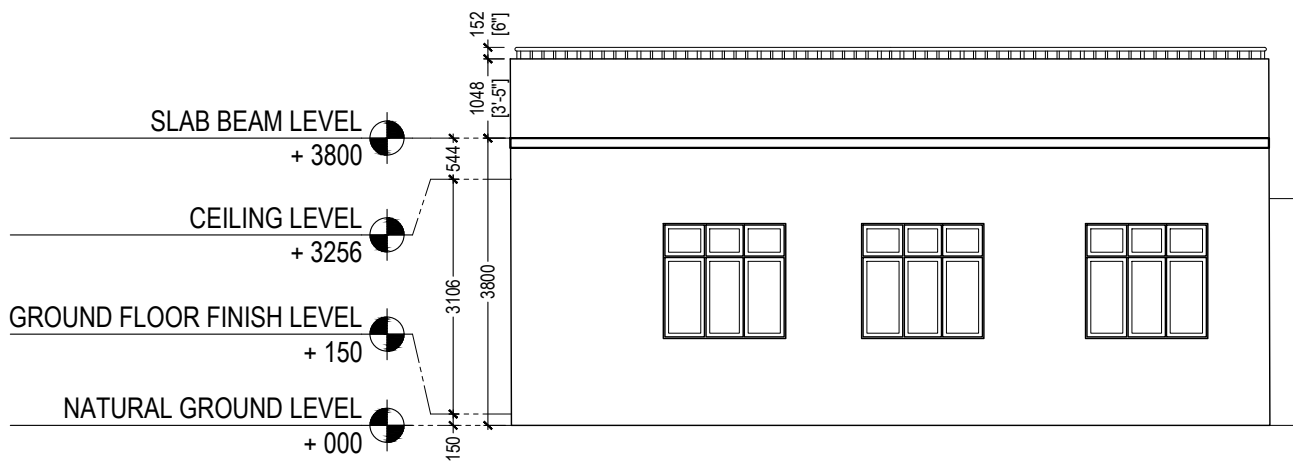
DESIGN STAGE

CONCEPTUAL DESIGN
 BUILDING APPROVAL
 CONSTRUCTION DRAWINGS
 AS-BUILT DOCUMENTATION

DRAWN BY	DESIGN BY	CHECKED BY
NIHAAD	NIHAAD	AHUSAN
DISCIPLINE	SHEET SIZE	SCALE
ARCHITECTURAL	A4	1:50

REV	DESCRIPTION	DATE
00	INCEPTION	05/09/2023
01	REVISION	06/08/2023

FIRST EMISSION	DRAWING NUMBER
MAY 09, 2023	A-2.04
UPDATE	
---	---



ELEVATION - A

SCALE - 1:100

GENERAL NOTES
 - Do not scale the drawings.
 - All dimensions are in millimeters unless noted otherwise.
 - All dimensions are indicative, and must be confirmed at the site by the contractor.



M. HONEY SEASON 2, 2ND FLOOR,
 FULOONIYA GOALHI, MALE,
 REPUBLIC OF MALDIVES
 anova.mv@gmail.com
 797 2992 , 910 0623
 © anova 2023

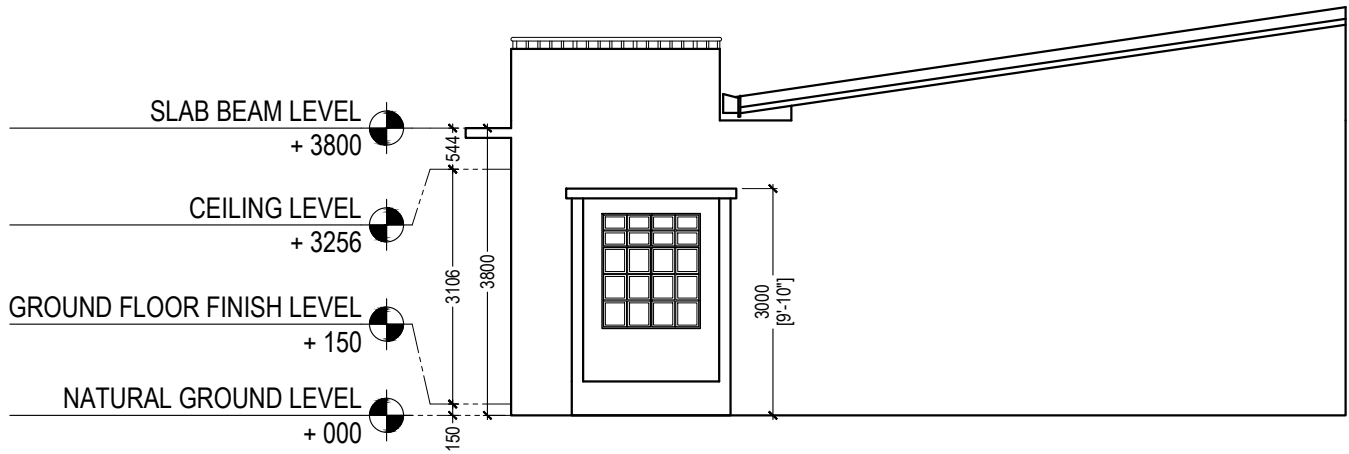
CLIENT HAA. ALIFU. ATOLL COUNCIL
PROJECT NAME OFFICE EXTENSION BUILDING
LOCATION H.A. DHIDHDHOO
DRAWING TITLE ELEVATION - A

DESIGN STAGE
<input type="radio"/> CONCEPTUAL DESIGN <input type="radio"/> BUILDING APPROVAL <input checked="" type="radio"/> CONSTRUCTION DRAWINGS <input type="radio"/> AS-BUILT DOCUMENTATION

DRAWN BY NIHAAD	DESIGN BY NIHAAD	CHECKED BY AHUSAN
DISCIPLINE ARCHITECTURAL	SHEET SIZE A4	SCALE 1:100

REV	DESCRIPTION	DATE
00	INCEPTION	05/09/2023
01	REVISION	06/08/2023

FIRST EMISSION MAY 09, 2023	DRAWING NUMBER A-3.01
UPDATE ---	



ELEVATION - B

SCALE - 1:100

GENERAL NOTES
 - Do not scale the drawings.
 - All dimensions are in millimeters unless noted otherwise.
 - All dimensions are indicative, and must be confirmed at the site by the contractor.



ANOVA
 M. HONEY SEASON 2, 2ND FLOOR,
 FULOONIYA GOALHI, MALE,
 REPUBLIC OF MALDIVES
 anova.mv@gmail.com
 797 2992 , 910 0623
 © anova 2023

CLIENT HAA. ALIFU. ATOLL COUNCIL
PROJECT NAME OFFICE EXTENSION BUILDING
LOCATION H.A. DHIDHDHOO
DRAWING TITLE ELEVATION - B

DESIGN STAGE
<input type="radio"/> CONCEPTUAL DESIGN <input type="radio"/> BUILDING APPROVAL <input checked="" type="radio"/> CONSTRUCTION DRAWINGS <input type="radio"/> AS-BUILT DOCUMENTATION

DRAWN BY NIHAAD	DESIGN BY NIHAAD	CHECKED BY AHUSAN
DISCIPLINE ARCHITECTURAL	SHEET SIZE A4	SCALE 1:100

REV	DESCRIPTION	DATE
00	INCEPTION	05/09/2023
01	REVISION	06/08/2023

FIRST EMISSION MAY 09, 2023	DRAWING NUMBER A-3.02
UPDATE ---	

GENERAL NOTES

- Do not scale the drawings.
- All dimensions are in millimeters unless noted otherwise.
- All dimensions are indicative, and must be confirmed at the site by the contractor.



ANOVA

M. HONEY SEASON 2, 2ND FLOOR,
FULOONIYA GOALHI, MALE,
REPUBLIC OF MALDIVES

anova.mv@gmail.com
797 2992 , 910 0623

© anova 2023

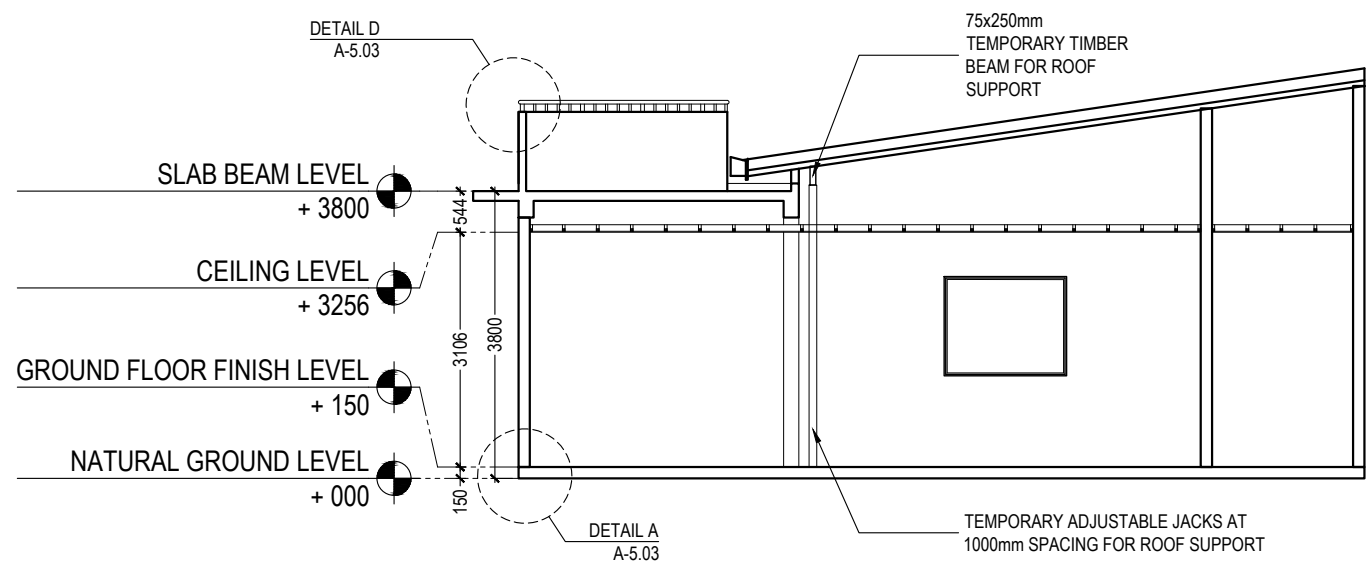
CLIENT HAA. ALIFU. ATOLL COUNCIL
PROJECT NAME OFFICE EXTENSION BUILDING
LOCATION H.A. DHIDHDHOO
DRAWING TITLE SECTION - X

DESIGN STAGE
<input type="radio"/> CONCEPTUAL DESIGN <input type="radio"/> BUILDING APPROVAL <input checked="" type="radio"/> CONSTRUCTION DRAWINGS <input type="radio"/> AS-BUILT DOCUMENTATION

DRAWN BY NIHAAD	DESIGN BY NIHAAD	CHECKED BY AHUSAN
DISCIPLINE ARCHITECTURAL	SHEET SIZE A4	SCALE 1:100

REV	DESCRIPTION	DATE
00	INCEPTION	05/09/2023
01	REVISION	06/08/2023

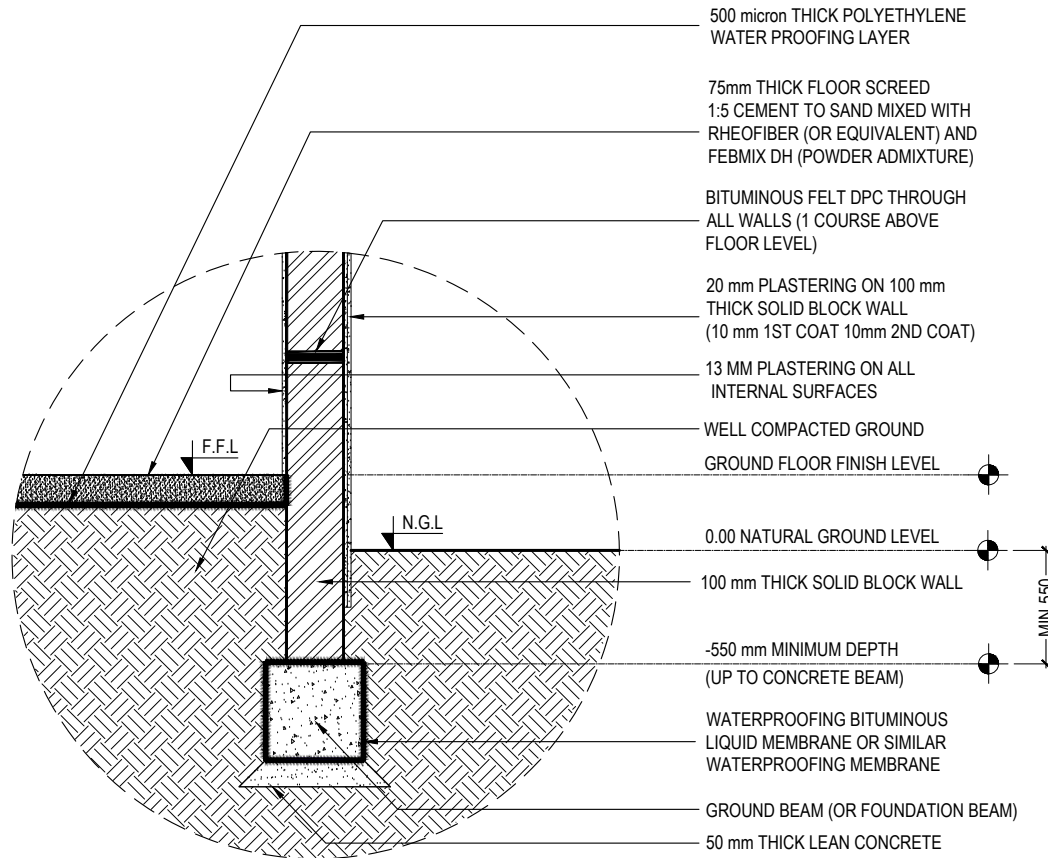
FIRST EMISSION MAY 09, 2023	DRAWING NUMBER A-4.01
UPDATE ---	



NOTE :

PRIOR TO DEMOLISHING EXISTING MASONRY WALL PROVIDE PROPOSED TEMPORARY SUPPORTS ON ROOF RAFTERS. TEMPORARY SUPPORTS SHALL NOT BE REMOVED UNTIL BEAMS ARE CURED TO A MINIMUM OF 28 DAYS AFTER CASTING

SECTION - X
SCALE - 1:100



DETAIL A: PERIMETER WALL BASE

SCALE - 1:20

GENERAL NOTES

- Do not scale the drawings.
- All dimensions are in millimeters unless noted otherwise.
- All dimensions are indicative, and must be confirmed at the site by the contractor.



M. HONEY SEASON 2, 2ND FLOOR,
FULOONIYA GOALHI, MALE,
REPUBLIC OF MALDIVES
anova.mv@gmail.com
797 2992, 910 0623
© anova 2023

CLIENT

HAA. ALIFU. ATOLL COUNCIL

PROJECT NAME

OFFICE EXTENSION BUILDING

LOCATION

H.A. DHIDHDHOO

DRAWING TITLE

ARCHITECTURAL DETAILS - 1

DESIGN STAGE

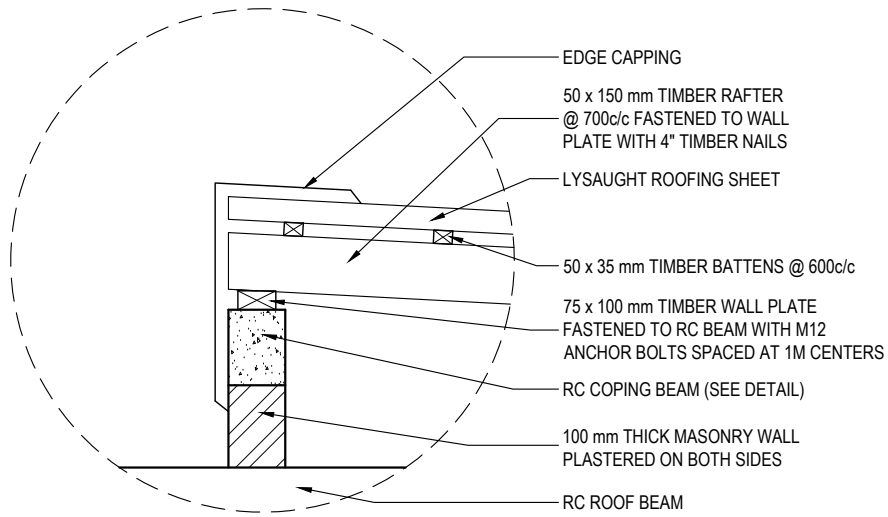
- CONCEPTUAL DESIGN
- BUILDING APPROVAL
- CONSTRUCTION DRAWINGS
- AS-BUILT DOCUMENTATION

DRAWN BY NIHAAD	DESIGN BY NIHAAD	CHECKED BY AHUSAN
--------------------	---------------------	----------------------

DISCIPLINE ARCHITECTURAL	SHEET SIZE A4	SCALE 1:20
-----------------------------	------------------	---------------

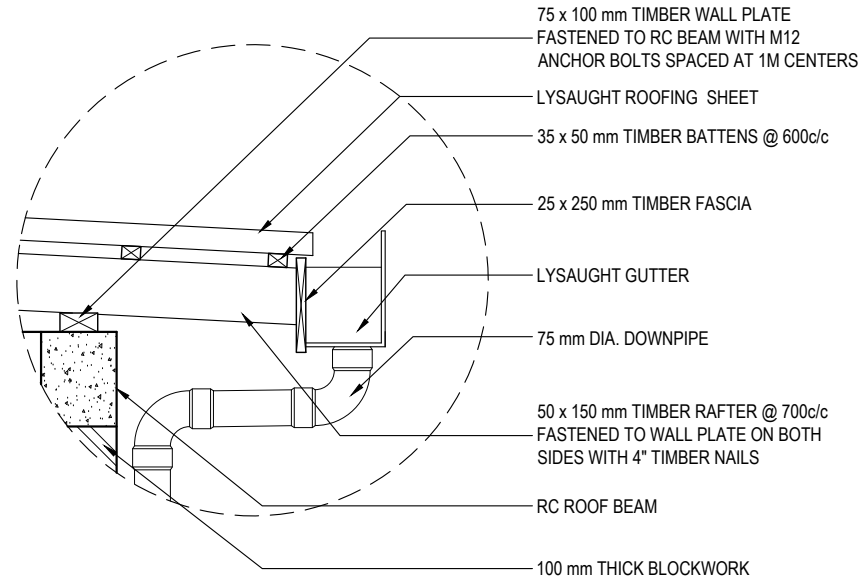
REV	DESCRIPTION	DATE
00	INCEPTION	05/09/2023
01	REVISION	06/08/2023

FIRST EMISSION MAY 09, 2023	DRAWING NUMBER A-5.01
UPDATE ---	



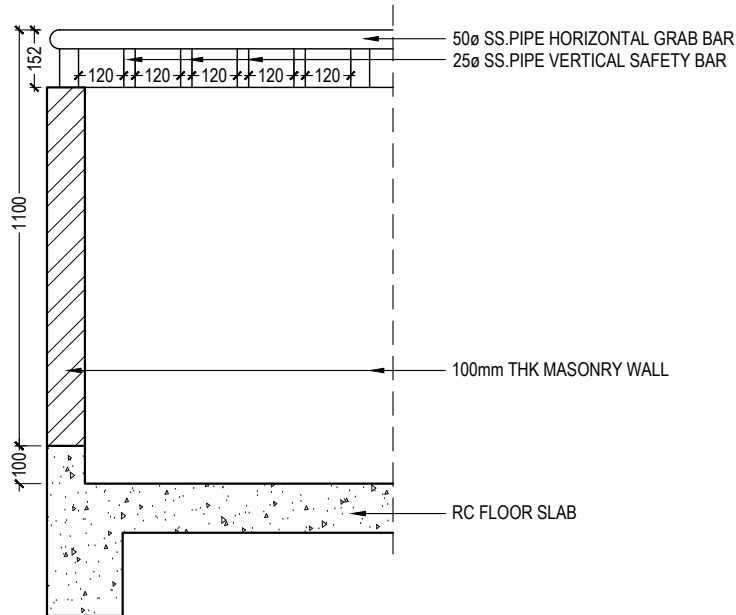
DETAIL B: ROOF EDGE DETAIL

SCALE - 1:20



DETAIL C: ROOF EAVES DETAIL

SCALE - 1:20



DETAIL D: 1.1M HEIGHT SS. RAILING

SCALE - 1:20

GENERAL NOTES :

- FOR ALL CONCRETE WORKS INCLUDING PLASTERING SCREEDING USE WATERPROOFING AND PLASTISIZING ADMIXTURE
- USE CRACK CONTROLLING FIBERGLASS ADDITIVE FOR ALL PLASTERING WORKS
- FIBERGLASS MESH MUST BE USED BETWEEN ALL ADJOINING CONCRETE AND MASONRY SURFACES PRIOR TO PLASTERING
- BLOCKS AND BLOCKWORK SHOULD COMPLY WITH BS 5628 MINIMUM CONCRETE STRENGTH AT 28 DAY IS 30 N/mm²
- ALL STRUCTURAL TIMBER MUST COMPLY WITH BS 5268
- TIMBER MEMBERS MUST BE OF STRENGTH CLASS C30 MINIMUM
- STIFFNER BEAMS / COLUMNS SHALL BE REQUIRED TO WALL AREAS GREATER THAN 12 SQ.M WHICH ARE UNSUPPORTED BY OTHER RC CONCRETE MEMBER

GENERAL NOTES
 - Do not scale the drawings.
 - All dimensions are in millimeters unless noted otherwise.
 - All dimensions are indicative, and must be confirmed at the site by the contractor.



M. HONEY SEASON 2, 2ND FLOOR,
 FULOONIYA GOALHI, MALE,
 REPUBLIC OF MALDIVES
 anova.mv@gmail.com
 797 2992 , 910 0623
 © anova 2023

CLIENT HAA. ALIFU. ATOLL COUNCIL
PROJECT NAME OFFICE EXTENSION BUILDING
LOCATION H.A. DHIDHDHOO
DRAWING TITLE ARCHITECTURAL DETAILS - 2

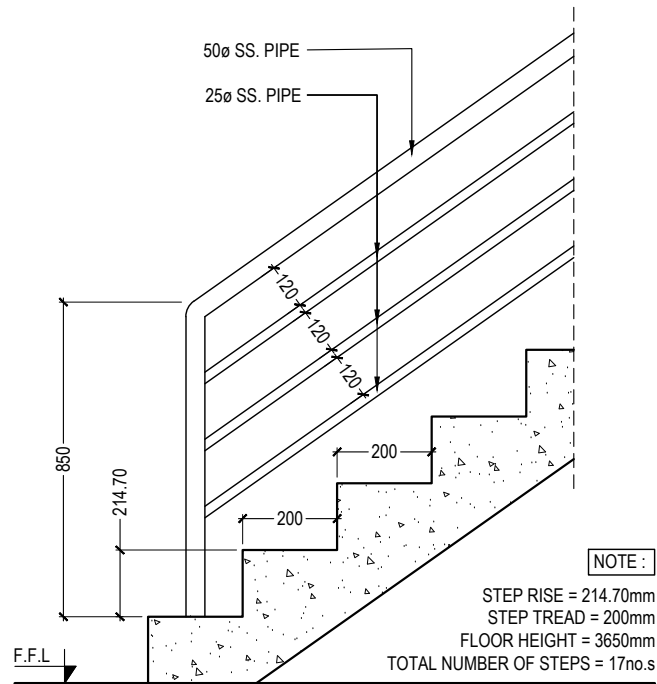
DESIGN STAGE

CONCEPTUAL DESIGN
 BUILDING APPROVAL
 CONSTRUCTION DRAWINGS
 AS-BUILT DOCUMENTATION

DRAWN BY NIHAAD	DESIGN BY NIHAAD	CHECKED BY AHUSAN
DISCIPLINE ARCHITECTURAL	SHEET SIZE A4	SCALE 1:20

REV	DESCRIPTION	DATE
00	INCEPTION	05/09/2023
01	REVISION	06/08/2023

FIRST EMISSION MAY 09, 2023	DRAWING NUMBER A-5.02
UPDATE ---	



DETAIL E: RC STAIR CASE

SCALE - 1:20

GENERAL NOTES
 - Do not scale the drawings.
 - All dimensions are in millimeters unless noted otherwise.
 - All dimensions are indicative, and must be confirmed at the site by the contractor.


ANOVA
 M. HONEY SEASON 2, 2ND FLOOR,
 FULOONIYA GOALHI, MALE,
 REPUBLIC OF MALDIVES
 anova.mv@gmail.com
 797 2992, 910 0623
 © anova 2023

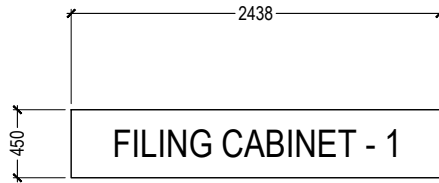
CLIENT	HAA. ALIFU. ATOLL COUNCIL
PROJECT NAME	OFFICE EXTENSION BUILDING
LOCATION	H.A. DHIDHDHOO
DRAWING TITLE	ARCHITECTURAL DETAILS - 3

DESIGN STAGE
<input type="radio"/> CONCEPTUAL DESIGN <input type="radio"/> BUILDING APPROVAL <input checked="" type="radio"/> CONSTRUCTION DRAWINGS <input type="radio"/> AS-BUILT DOCUMENTATION

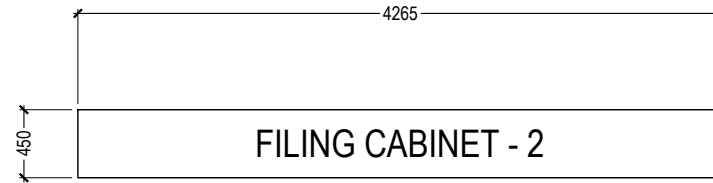
DRAWN BY	DESIGN BY	CHECKED BY
NIHAAD	NIHAAD	AHUSAN
DISCIPLINE	SHEET SIZE	SCALE
ARCHITECTURAL	A4	1:20

REV	DESCRIPTION	DATE
00	INCEPTION	05/09/2023
01	REVISION	06/08/2023

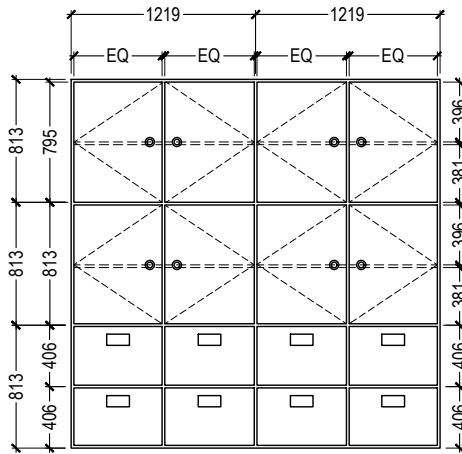
FIRST EMISSION	DRAWING NUMBER
MAY 09, 2023	A-5.03
UPDATE	
---	---



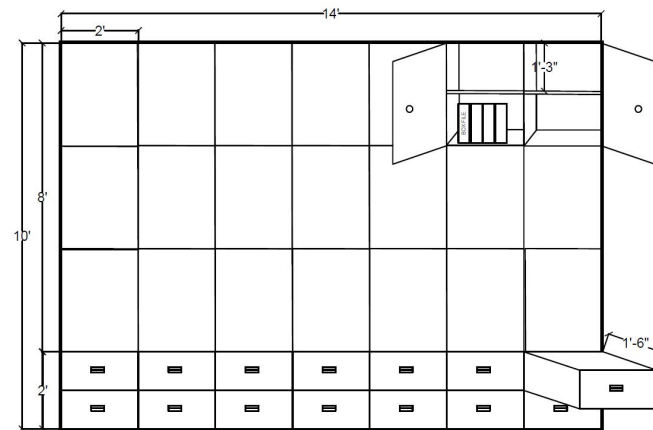
TOP VIEW



TOP VIEW



ELEVATION



ELEVATION

GENERAL NOTES
 - Do not scale the drawings.
 - All dimensions are in millimeters unless noted otherwise.
 - All dimensions are indicative, and must be confirmed at the site by the contractor.



ANOVA
 M. HONEY SEASON 2, 2ND FLOOR,
 FULOONIYA GOALHI, MALE,
 REPUBLIC OF MALDIVES
 anova.mv@gmail.com
 797 2992, 910 0623
 © anova 2023

CLIENT HAA. ALIFU. ATOLL COUNCIL
PROJECT NAME OFFICE EXTENSION BUILDING
LOCATION H.A. DHIDHDHOO
DRAWING TITLE FILING CABINET DETAIL

DESIGN STAGE
<input type="radio"/> CONCEPTUAL DESIGN <input type="radio"/> BUILDING APPROVAL <input checked="" type="radio"/> CONSTRUCTION DRAWINGS <input type="radio"/> AS-BUILT DOCUMENTATION

DRAWN BY NIHAAD	DESIGN BY NIHAAD	CHECKED BY AHUSAN
--------------------	---------------------	----------------------

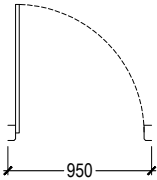
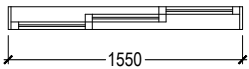
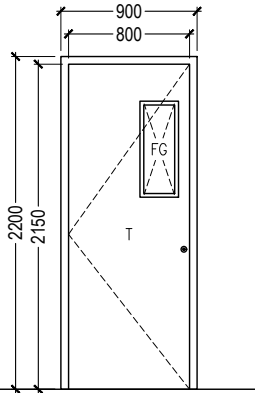
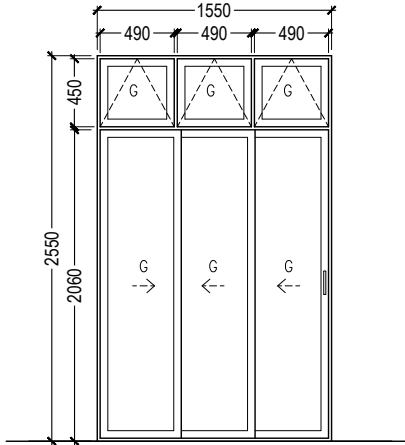
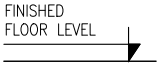
DISCIPLINE ARCHITECTURAL	SHEET SIZE A4	SCALE 1:50
-----------------------------	------------------	---------------

REV	DESCRIPTION	DATE
00	INCEPTION	05/09/2023
01	REVISION	06/08/2023

FIRST EMISSION MAY 09, 2023	DRAWING NUMBER A-5.04
UPDATE ---	

FILING CABINET DETAIL

SCALE - 1:50

LABEL		D1	V&D1
PLAN			
ELEVATION			
			
FRAMES:	MATERIAL	ALUMINUM	ALUMINUM
	FINISH	ANODIZED	ANODIZED
PANEL:	MATERIAL	FIXED ALUMINUM LOUVERS	GLASS
	FINISH	ANODIZED	BLACK TINTED
VENTILATION AREA (sq.m)			2.65

NOTE :

- T TIMBER
- G GLASS
- WL WOODEN LOUVERS
- AL ALUMINUM LOUVERS

DOOR WINDOW SCHEDULE - 1

SCALE - 1:50

GENERAL NOTES
 - Do not scale the drawings.
 - All dimensions are in millimeters unless noted otherwise.
 - All dimensions are indicative, and must be confirmed at the site by the contractor.



M. HONEY SEASON 2, 2ND FLOOR,
 FULOONIYA GOALHI, MALE,
 REPUBLIC OF MALDIVES
 anova.mv@gmail.com
 797 2992 , 910 0623
 © anova 2023

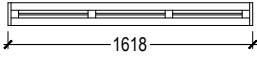
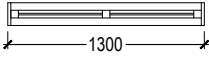
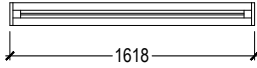
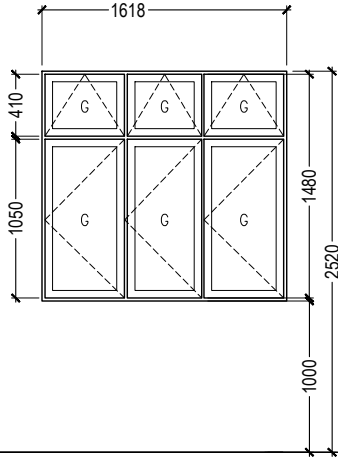
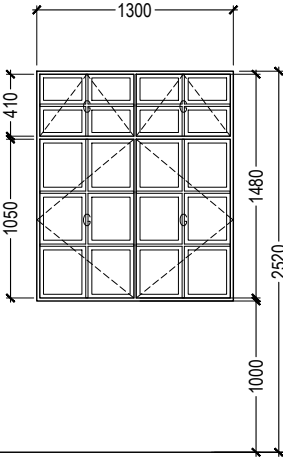
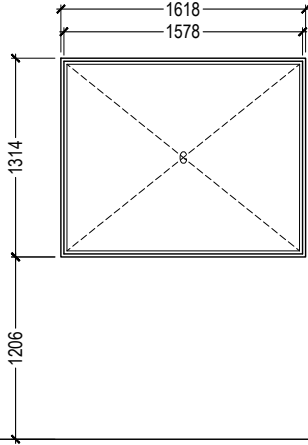
CLIENT	HAA. ALIFU. ATOLL COUNCIL
PROJECT NAME	OFFICE EXTENSION BUILDING
LOCATION	H.A. DHIDHDHOO
DRAWING TITLE	DOOR WINDOW SCHEDULE - 1

DESIGN STAGE	<input type="radio"/> CONCEPTUAL DESIGN <input type="radio"/> BUILDING APPROVAL <input checked="" type="radio"/> CONSTRUCTION DRAWINGS <input type="radio"/> AS-BUILT DOCUMENTATION
--------------	----------------------------------------------------------------------------------------------------------------------------------------------------------------------------------------------

DRAWN BY NIHAAD	DESIGN BY NIHAAD	CHECKED BY AHUSAN
DISCIPLINE ARCHITECTURAL	SHEET SIZE A4	SCALE 1:50

REV	DESCRIPTION	DATE
00	INCEPTION	05/09/2023
01	REVISION	06/08/2023

FIRST EMISSION MAY 09, 2023	DRAWING NUMBER A-6.01
UPDATE ---	

LABEL	W1	W2	FG1
PLAN			
ELEVATION			
FRAMES:	MATERIAL: ALUMINUM FINISH: ANODIZED	MATERIAL: ALUMINUM FINISH: ANODIZED	MATERIAL: ALUMINUM FINISH: ANODIZED
PANEL:	MATERIAL: ALUMINUM ROLLER SHUTTER FINISH: ANODIZED	MATERIAL: ALUMINUM ROLLER SHUTTER FINISH: ANODIZED	GLASS 6mm THICK BLACK TINTED
VENTILATION AREA (sq.m)			-

GENERAL NOTES
- Do not scale the drawings.
- All dimensions are in millimeters unless noted otherwise.
- All dimensions are indicative, and must be confirmed at the site by the contractor.



M. HONEY SEASON 2, 2ND FLOOR,
FULOONIYA GOALHI, MALE,
REPUBLIC OF MALDIVES
anova.mv@gmail.com
797 2992, 910 0623
© anova 2023

CLIENT	HAA. ALIFU. ATOLL COUNCIL
PROJECT NAME	OFFICE EXTENSION BUILDING
LOCATION	H.A. DHIDHDHOO
DRAWING TITLE	DOOR WINDOW SCHEDULE - 2

DESIGN STAGE	<input type="radio"/> CONCEPTUAL DESIGN <input type="radio"/> BUILDING APPROVAL <input checked="" type="radio"/> CONSTRUCTION DRAWINGS <input type="radio"/> AS-BUILT DOCUMENTATION	
DRAWN BY	DESIGN BY	CHECKED BY
NIHAAD	NIHAAD	AHUSAN
DISCIPLINE	SHEET SIZE	SCALE
ARCHITECTURAL	A4	1:50

REV	DESCRIPTION	DATE
00	INCEPTION	05/09/2023
01	REVISION	06/08/2023

FIRST EMISSION	DRAWING NUMBER
MAY 09, 2023	A-6.02
UPDATE	

- NOTE :
- T TIMBER
 - G GLASS
 - WL WOODEN LOUVERS
 - AL ALUMINUM LOUVERS

DOOR WINDOW SCHEDULE - 2

SCALE - 1:50

GENERAL

1. ALL STRUCTURAL DRAWINGS SHALL BE READ IN CONJUNCTION WITH ALL ARCHITECTURAL AND SERVICE DRAWINGS, SPECIFICATIONS AND WRITTEN INSTRUCTIONS IF ISSUED DURING THE COURSE OF THE CONTRACT. ALL DISCREPANCIES SHALL BE REFERRED FOR DECISION BEFORE PROCEEDING WITH THE WORK.
2. THE DRAWINGS SHALL NOT BE SCALED. ALL DIMENSIONS RELEVANT TO SETTING OUT AND OFF-SITE SHALL BE VERIFIED BY THE CONTRACTOR BEFORE CONSTRUCTION AND FABRICATION IS COMMENCED.
3. DURING THE CONSTRUCTION PERIOD THE CONTRACTOR SHALL BE RESPONSIBLE TO MAINTAIN THE STABILITY OF STRUCTURE AND ENSURE THAT NO STRUCTURAL ELEMENT BE OVERSTRESSED UNDER CONSTRUCTION ACTIVITIES.
4. WORKMANSHIP AND MATERIALS SHALL BE IN ACCORDANCE WITH THE RELEVANT RECENT BS CODES OR OTHER ACCEPTABLE STANDARDS.
5. BASED ON THE DRAWINGS AND SPECIFICATIONS THE CONTRACTOR SHALL PRODUCE STRUCTURAL SHOP DRAWINGS FOR APPROVAL IF REQUESTED.
6. ALL DIMENSIONS TO STRUCTURAL DRAWINGS ARE IN MILLIMETERS UNLESS STATED OTHERWISE. ALL LEVELS ARE EXPRESSED IN METERS.
7. THE REINFORCED CONCRETE DESIGN IS BASED ON BS 8110' STRUCTURAL USE OF CONCRETE'
8. REFER TO STANDARD AND TYPICAL DETAILS AS SHOWN IN THE TYPICAL DRAWINGS FOR DETAILS NOT SHOWN SPECIFICALLY.
9. ALL PROPS AND FRAMEWORK FOR BEAMS AND SLABS SHALL BE REMOVED BEFORE CONSTRUCTION OF ANY MASONRY WALLS OR OTHER PERMANENT LOADING ON THE SLAB.
10. ALL NON-LOAD BEARING WALLS SHALL BE KEPT CLEAR OFF THE UNDERSIDE OF SLABS AND BEAMS BY 30MM. THE JOINT SHALL BE FILLED WITH FIBRE BOARD OR COMPRESSIBLE MATERIAL PRESSED METAL COVERING BOTH SIDES OF THE JOINT, AND THE METAL COVERING SHALL BE FIXED TO SOFFIT OF THE BEAM OR SLAB AS THE CASE MAYBE.

FOUNDATIONS

1. ALL FOUNDATIONS HAS BEEN DESIGNED FOR SAFE GROUND PRESSURE OF 150 KN/M2
2. ALL FOOTINGS SHALL BE PLACED MINIMUM 1.2M BELOW THE NATURAL GROUND LEVEL UNLESS STATED OTHERWISE
3. ALL BACKFILL SHOULD BE DONE WITH APPROVED MATERIAL AND SOURCE. ALL BACKFILL SHOULD BE STRUCTURAL FILL, COMPACTED IN LAYERS AS SPECIFIED.
4. WEAK POCKETS OUND BELOW THE ASSUMED FOUNDATION LEVELS SHALL BE REMOVED AND REPLACED BY PLAIN CONCRETE.
5. IN CASE OF EXCAVATIONS BELOW THE ASSUMED LEVEL OF THE FOOTING, THE SOIL SHALL BE REPLACED BY PLAIN CONCRETE.
6. IN CASE GROUND WATER IS PRESENT ABOVE FOUNDATION LEVEL, THE CONTRACTOR SHALL BE RESPONSIBLE FOR DEWATERING THE SITE, AND LOWERING THE GROUND WATER TO ATLEAST 70CM BELOW LEVEL OF FOUNDATIONS.
7. THE CONTRACTOR SHALL MAINTAIN DRY WORKING CONDITIONSTHROUGHOUT THE CONSTRUCTION PERIOD. RESTORING WATER TABLE CAN BE DONE AFTER BACKFILLING AND COMPACTION UP TO THE SLAB ON GRADE LEVEL, OR AS DIRECTED BY THE ENGINEER.
8. NO BACK FILLING SHALL BE PLACED AGAINST WALLS RETAINING EARTH, UNLESS THE WALLS ACHIEVE SUFFICIENT STRENGTH TO PREVENT MOVEMENT OR STRUCTURAL DAMAGE.
9. UNLESS OTHERWISE SHOWN ALL FOOTINGS ARE CONCENTRIC TO COLUMNS.

GENERAL NOTES

CONCRETE

1. A. ALL INSITU STRUCTURAL CONCRETE SHALL HAVE MINIMUM 28 DAYS CUBE STRENGTH OF 30 N/mm² TO THE RELEVANT CLAUSES OF BS5328.
B. ALL PLAIN CONCRETE (OR BLINDING)SHALL HAVE MINIMUM 28 DAYS CUBE STRENGTH OF 15 N/mm² (EQUIVALENT CYLINDER STRENGTH, FC = 12 N/mm²), TO THE RELEVANT CLAUSES OF BS538.
2. SULPHATE RESISTING CEMENT SHALL BE USED FOR ALL CONCRETE IN CONTACT WITH GARBAGE.
3. NO OPENINGS, HOLES, CHASES OR EMBEDMENT OF PIPES OTHER THAN THOSE IN THE STRUCTURAL DRAWINGS SHALL BE MADE IN CONCRETE MEMBERS WITHOUT PRIOR APPROVAL.
4. CONSTRUCTION AND EXPANTION JOINTS SHALL BE PROPERLY FORMED AND USED ONLY WHERE SHOWN OR SPECIFICALLY APPROVED.
5. NO ELECTRICAL CONDUIT AND PIPES ARE TO BE CAST IN COLUMNS OR THROUGH BEAMS WITHOUT PRIOR APPROVAL UNLESS OTHERWISE SHOWN IN THE DRAWINGS.
6. SPECIAL RULES REGARDING CONCRETING IN HOT WEATHER SHALL BE OBSERVED
7. OPENING IN SLABS:
 - FOR OPENING LESS THAN 150 X 150 MM, BARS SHALL BE RE-ARRANGED AROUND THE OPENING.
 - FOR OPENINGS GREATER THAN 300 X 300 MM BUT LESS THAN 600X600 MM AND NOT SHOWN ON PLAN, PROVIDE 2 DIA 16 TOP AND BOTTOM ALONG EACH SIDE AND DIAGONALLY AT CORNERS OR AS OTHERWISE DETAILED. AMOUNT OF BARS DISCONTINUED DUE TO THE OPENING SHALL BE PLACED AT THE RESPECTIVE SIDES. OPENINGS GREATER THAN 600 X 600 MM AND NOT SHOWN ON PLAN SHALL BE APPROVED.
8. SHEAR KEY SHALL BE PROVIDED AT ALL CONSTRUCTION JOINTS.

REINFORCEMENT

1. HIGH STRENGTH DEFORMED BARS DENOTED T SHALL CONFIRM TO BS-4449 WITH MINIMUM YIELD STRENGTH FY= 460 N/MM2, MILD STEEL DENOTED R SHALL HAVE 250N/mm2 YIELD STRENGTH. WIELDED WIRE MESH SHALL COMPLY WITH BS-4483.
2. SPLICES IN REINFORCEMENT SHALL BE MADE ONLY IN THE POSITION SHOWN OR AS OTHERWISE APPROVED
3. SPACER BARS SHALL BE PROVIDED AT 100CM CENTERS WHEREVER REINFORCEMENT IS PLACED IN MORE THAN ONE LAYER, UNLESS STATED OTHERWISE
4. WELDING OF REINFORCEMENT SHALL NOT BE PERMITTED. IF REINFORCEMENT SHOULD BE WELDED, APPROVAL IS REQUIRED.
5. ALL REINFORCEMENT SHALL BE SUPPORTED IN ITS CORRECT POSITION DURING CONCRETING BY APPROVED BAR CHAIRS, SPACERS, OR SUPPORT BARS.
6. TYPICAL DEVELOPMENT AND SPLICES OF DEFORMED BARS WITH FY = 460 N/MM2 AND FCU = 30 N/MM2, (CUBE STRENGTH) SHALL BE AS FOLLOWS, UNLESS OTHERWISE MENTIONED IN DRAWINGS:
 - 6.1 BASIC TENSION DEVELOPMENT LENGTH, LD = 56 X BAR DIA
 - 6.2 MINIMUM COMPRESSION DEVELOPMENT LENGTH, LDC = 40 X BAR DIA (OR 300MM WHICH EVER IS MORE)

GENERAL NOTES

- Do not scale the drawings.
- All dimensions are in millimeters unless noted otherwise.
- All dimensions are indicative, and must be confirmed at the site by the contractor.



M. HONEY SEASON 2, 2ND FLOOR,
FULOONIYA GOALHI, MALE',
REPUBLIC OF MALDIVES

✉ anova.mv@gmail.com
☎ 797 2992 , 910 0623

© anova 2023

CLIENT

HAA. ALIFU. ATOLL COUNCIL

PROJECT NAME

OFFICE EXTENSION BUILDING

LOCATION

H.A. DHIDHDHOO

DRAWING TITLE

GENERAL NOTES

DESIGN STAGE

- CONCEPTUAL DESIGN
 BUILDING APPROVAL
 CONSTRUCTION DRAWINGS
 AS-BUILT DOCUMENTATION

DRAWN BY NIHAAD	DESIGN BY NIHAAD	CHECKED BY NAFIU
DISCIPLINE STRUCTURAL	SHEET SIZE A4	SCALE NA

REV	DESCRIPTION	DATE
00	INCEPTION	05/09/2023
01	REVISION	06/08/2023

FIRST EMISSION MAY 09, 2023	DRAWING NUMBER S-1.01
UPDATE ---	

GENERAL NOTES

- Do not scale the drawings.
- All dimensions are in millimeters unless noted otherwise.
- All dimensions are indicative, and must be confirmed at the site by the contractor.



ANOVA

M. HONEY SEASON 2, 2ND FLOOR,
FULOONIYA GOALHI, MALE,
REPUBLIC OF MALDIVES

anova.mv@gmail.com
797 2992, 910 0623

© anova 2023

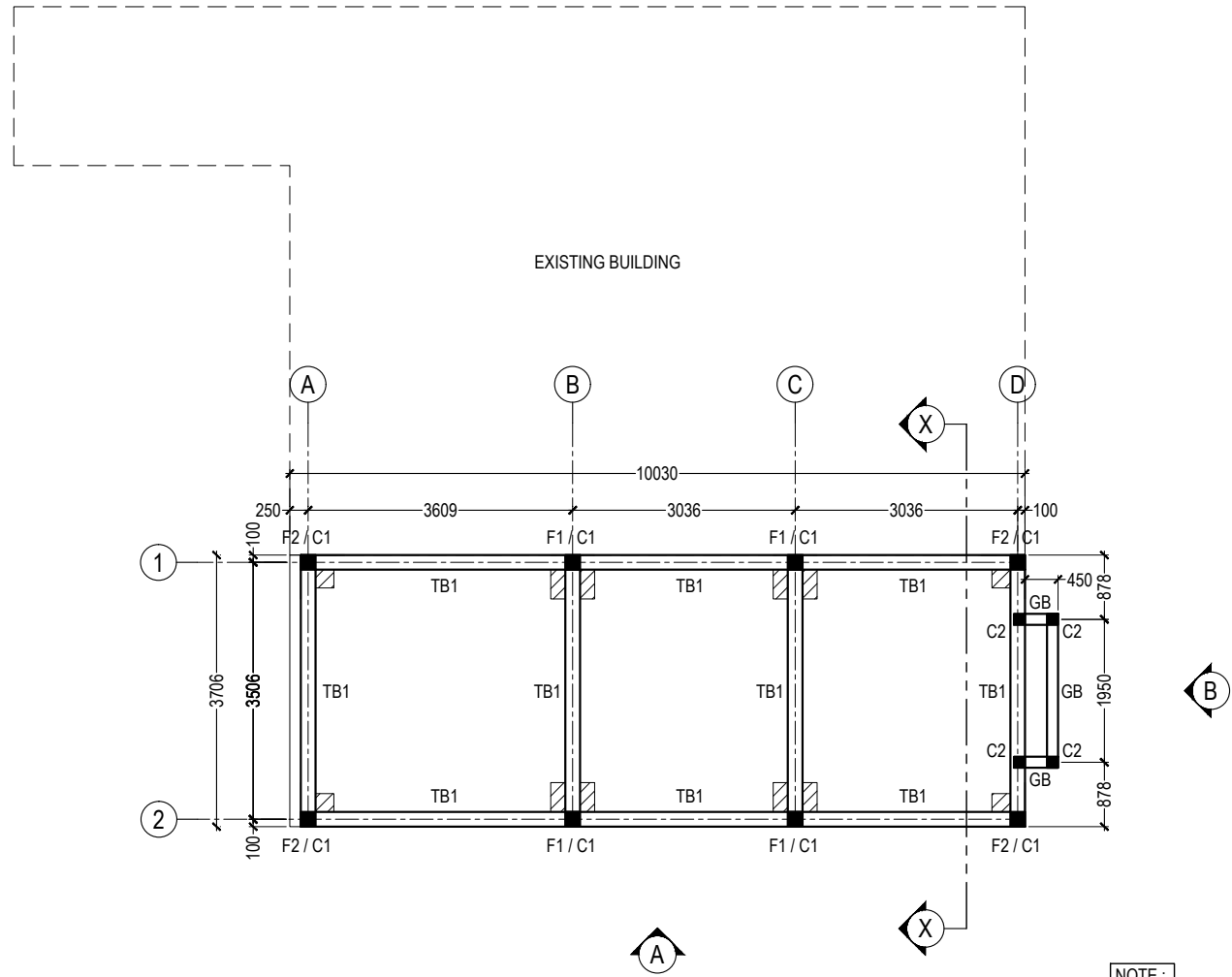
CLIENT HAA. ALIFU. ATOLL COUNCIL
PROJECT NAME OFFICE EXTENSION BUILDING
LOCATION H.A. DHIDHDHOO
DRAWING TITLE COLUMNS & FOUNDATION

DESIGN STAGE
<input type="radio"/> CONCEPTUAL DESIGN <input checked="" type="radio"/> BUILDING APPROVAL <input type="radio"/> CONSTRUCTION DRAWINGS <input type="radio"/> AS-BUILT DOCUMENTATION

DRAWN BY NIHAAD	DESIGN BY NIHAAD	CHECKED BY NAFIU
DISCIPLINE STRUCTURAL	SHEET SIZE A4	SCALE 1:100

REV	DESCRIPTION	DATE
00	INCEPTION	05/09/2023
01	REVISION	06/08/2023

FIRST EMISSION MAY 09, 2023	DRAWING NUMBER S-2.01
UPDATE ---	

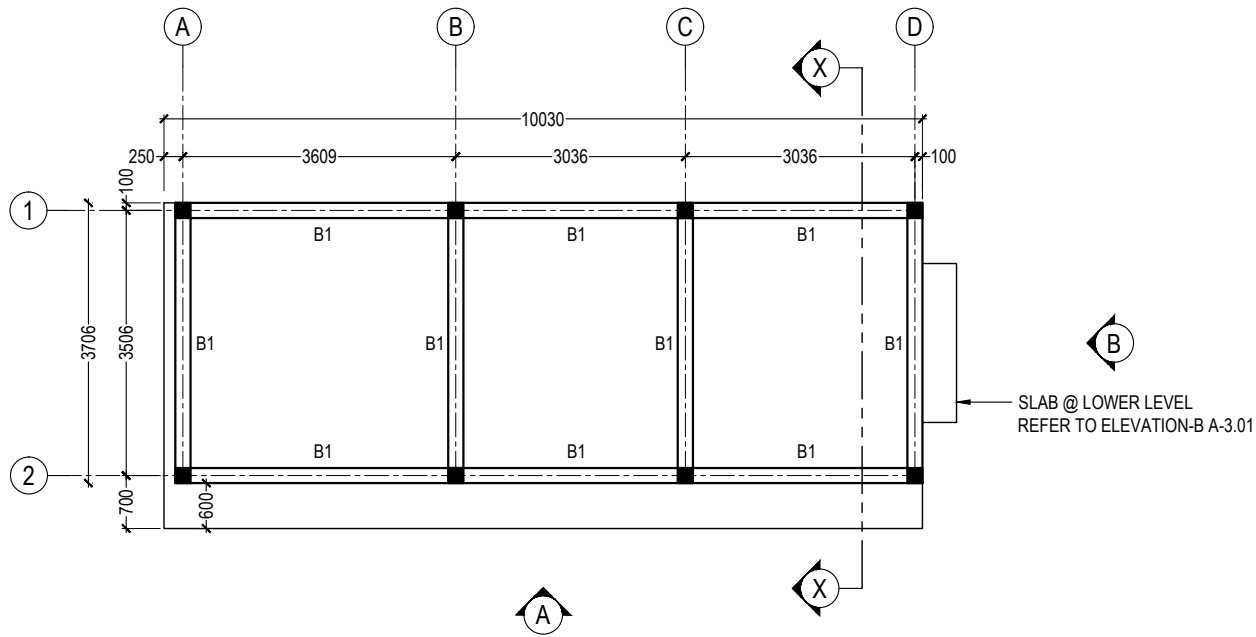


NOTE:
FOUNDATION DEPTH = 800 mm

GB SHALL BE PROVIDED BELOW ALL MASONRY BLOCKWORK DISCRETE FROM FOUNDATION TIE BEAMS

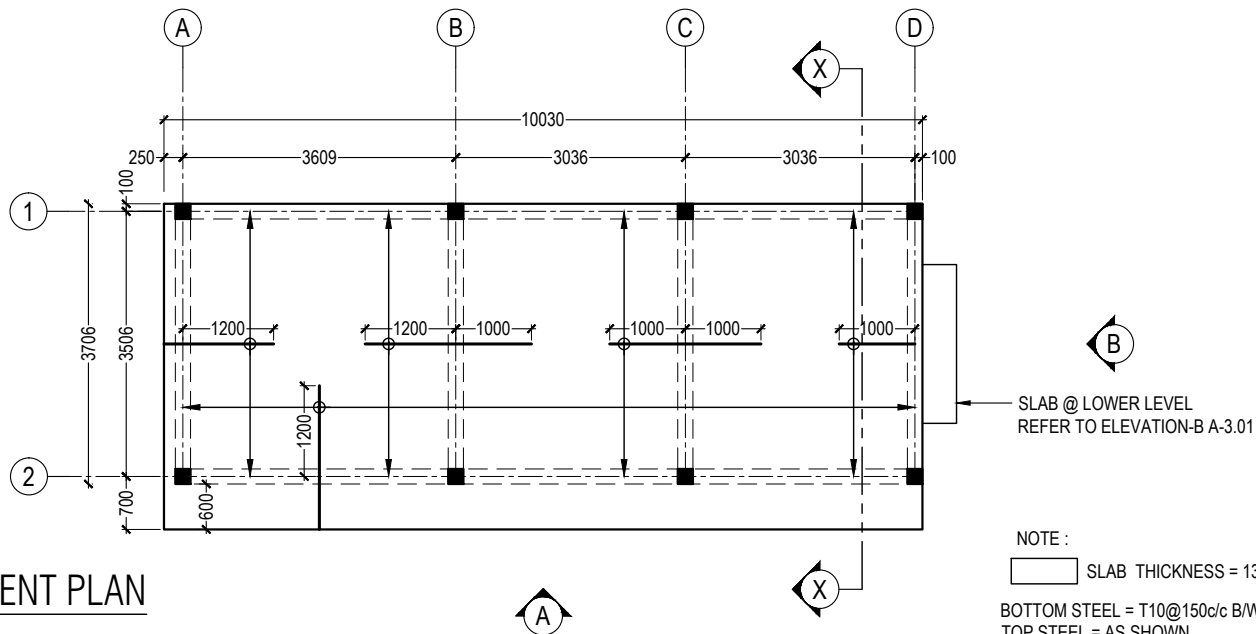
FOUNDATION & COLUMN PLAN

SCALE - 1:100



SLAB BEAM PLAN

SCALE - 1:100



SLAB REINFORCEMENT PLAN

SCALE - 1:100

GENERAL NOTES
 - Do not scale the drawings.
 - All dimensions are in millimeters unless noted otherwise.
 - All dimensions are indicative, and must be confirmed at the site by the contractor.



M. HONEY SEASON 2, 2ND FLOOR,
 FULOONIYA GOALHI, MALE,
 REPUBLIC OF MALDIVES
 anova.mv@gmail.com
 797 2992 , 910 0623
 © anova 2023

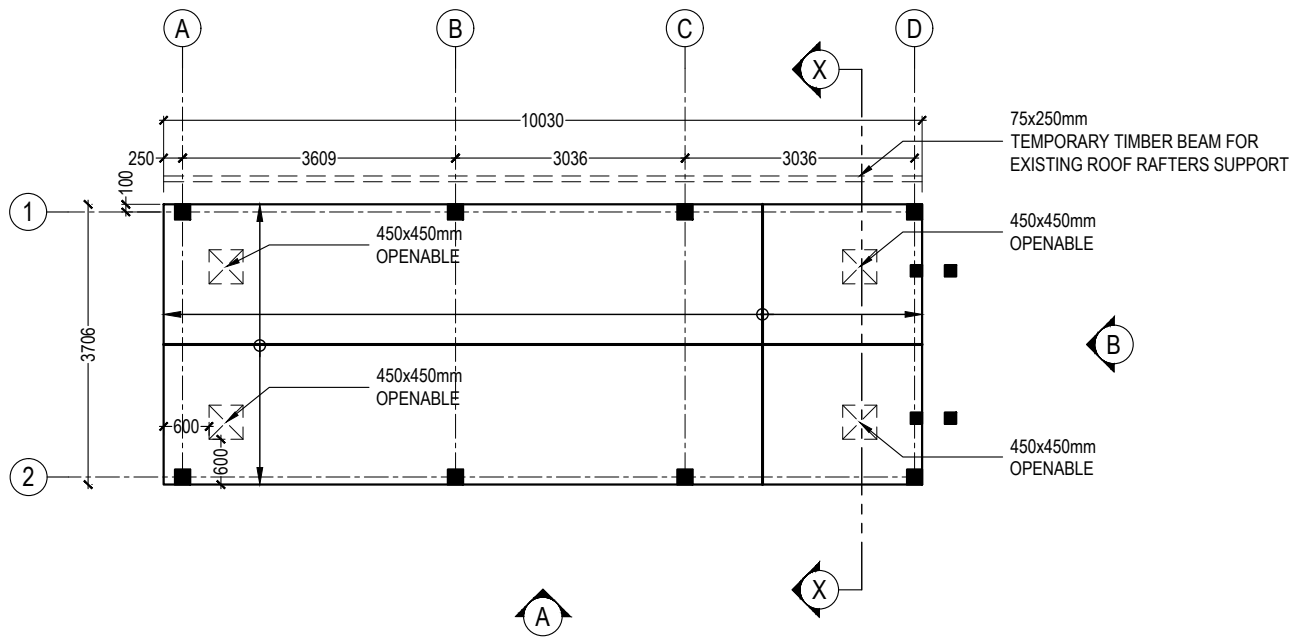
CLIENT HAA. ALIFU. ATOLL COUNCIL
PROJECT NAME OFFICE EXTENSION BUILDING
LOCATION H.A. DHIDHDHOO
DRAWING TITLE SLAB BEAM PLAN SLAB REINFORCEMENT PLAN

DESIGN STAGE
<input type="radio"/> CONCEPTUAL DESIGN <input checked="" type="radio"/> BUILDING APPROVAL <input type="radio"/> CONSTRUCTION DRAWINGS <input type="radio"/> AS-BUILT DOCUMENTATION

DRAWN BY NIHAAD	DESIGN BY NIHAAD	CHECKED BY NAFIU
DISCIPLINE STRUCTURAL	SHEET SIZE A4	SCALE 1:100

REV	DESCRIPTION	DATE
00	INCEPTION	05/09/2023
01	REVISION	06/08/2023

FIRST EMISSION MAY 09, 2023	DRAWING NUMBER S-2.02
UPDATE ---	



GENERAL NOTES

- Do not scale the drawings.
- All dimensions are in millimeters unless noted otherwise.
- All dimensions are indicative, and must be confirmed at the site by the contractor.



ANOVA

M. HONEY SEASON 2, 2ND FLOOR,
FULOONIYA GOALHI, MALE,
REPUBLIC OF MALDIVES

✉ anova.mv@gmail.com
☎ 797 2992 , 910 0623
© anova 2023

CLIENT HAA. ALIFU. ATOLL COUNCIL
PROJECT NAME OFFICE EXTENSION BUILDING
LOCATION H.A. DHIDHDHOO
DRAWING TITLE CEILING PLAN

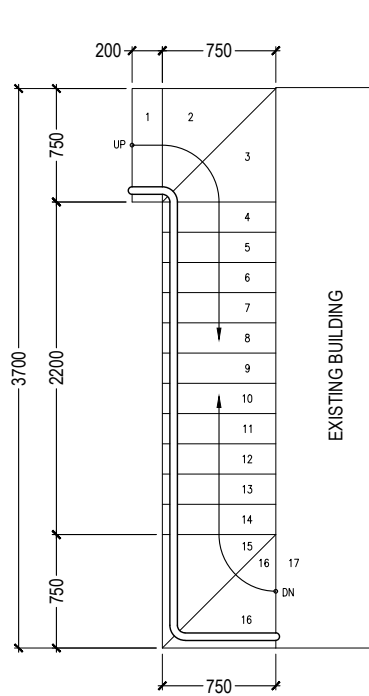
DESIGN STAGE
<input type="radio"/> CONCEPTUAL DESIGN <input checked="" type="radio"/> BUILDING APPROVAL <input type="radio"/> CONSTRUCTION DRAWINGS <input type="radio"/> AS-BUILT DOCUMENTATION

DRAWN BY NIHAAD	DESIGN BY NIHAAD	CHECKED BY NAFIU
DISCIPLINE STRUCTURAL	SHEET SIZE A4	SCALE 1:100

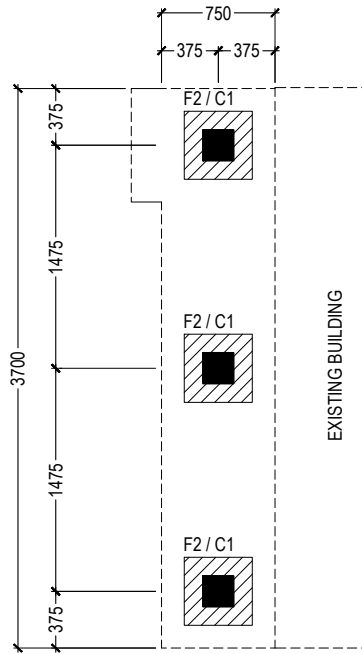
REV	DESCRIPTION	DATE
00	INCEPTION	05/09/2023
01	REVISION	06/08/2023

FIRST EMISSION MAY 09, 2023	DRAWING NUMBER S-2.03
UPDATE ---	

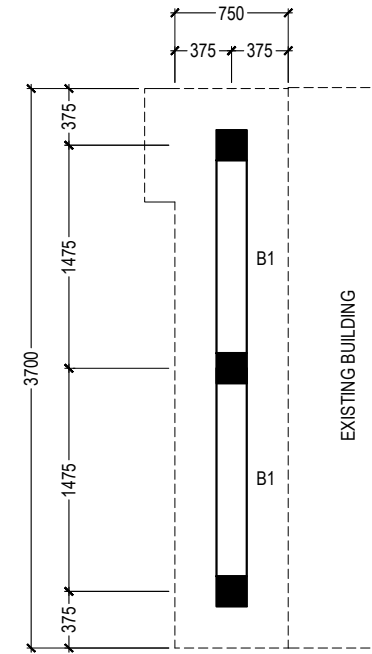
CEILING PLAN
SCALE - 1:100



STAIR PLAN



STAIR FOUNDATION PLAN



STAIR BEAM PLAN

GENERAL NOTES
 - Do not scale the drawings.
 - All dimensions are in millimeters unless noted otherwise.
 - All dimensions are indicative, and must be confirmed at the site by the contractor.


ANOVA
 M. HONEY SEASON 2, 2ND FLOOR,
 FULOONIYA GOALHI, MALE,
 REPUBLIC OF MALDIVES
 anova.mv@gmail.com
 797 2992, 910 0623
 © anova 2023

CLIENT HAA. ALIFU. ATOLL COUNCIL
PROJECT NAME OFFICE EXTENSION BUILDING
LOCATION H.A. DHIDHDHOO
DRAWING TITLE STAIR DETAILS

DESIGN STAGE
<input type="radio"/> CONCEPTUAL DESIGN <input checked="" type="radio"/> BUILDING APPROVAL <input type="radio"/> CONSTRUCTION DRAWINGS <input type="radio"/> AS-BUILT DOCUMENTATION

DRAWN BY NIHAAD	DESIGN BY NIHAAD	CHECKED BY NAFIU
--------------------	---------------------	---------------------

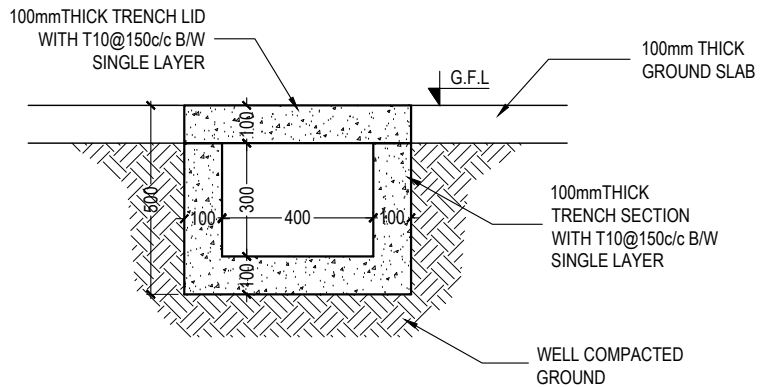
DISCIPLINE STRUCTURAL	SHEET SIZE A4	SCALE 1:50
--------------------------	------------------	---------------

REV	DESCRIPTION	DATE
00	INCEPTION	05/09/2023
01	REVISION	06/08/2023

FIRST EMISSION MAY 09, 2023	DRAWING NUMBER S-2.04
UPDATE ---	

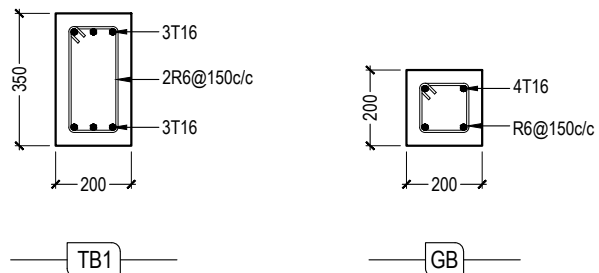
STAIR DETAILS

SCALE - 1:50



TRENCH DETAILS

SCALE - 1:20

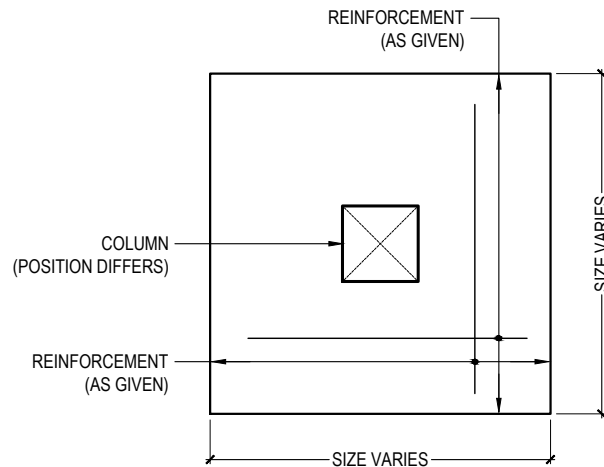


FOUNDATION BEAM DETAILS

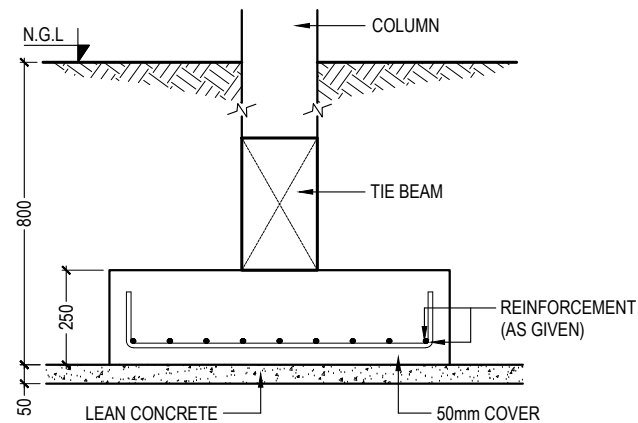
SCALE - 1:20

TYPE	DIMENSIONS	REINFORCEMENT
F1	600mm x 600mm x 250mm	T12@150c/c BW (B)
F2	450mm x 450mm x 250mm	T12@150c/c BW (B)
FOUNDATION DEPTH = 0.80m BELOW NATURAL GROUND LEVEL		

FOOTING SCHEDULE



TYPICAL PLAN VIEW OF FOUNDATION PAD



TYPICAL SECTION OF FOUNDATION PAD

TYPICAL FOOTING DETAIL

SCALE - 1:20

GENERAL NOTES
 - Do not scale the drawings.
 - All dimensions are in millimeters unless noted otherwise.
 - All dimensions are indicative, and must be confirmed at the site by the contractor.



M. HONEY SEASON 2, 2ND FLOOR,
 FULOONIYA GOALHI, MALE,
 REPUBLIC OF MALDIVES
 anova.mv@gmail.com
 797 2992, 910 0623
 © anova 2023

CLIENT
 HAA. ALIFU. ATOLL COUNCIL

PROJECT NAME
 OFFICE EXTENSION BUILDING

LOCATION
 H.A. DHIDHDHOO

DRAWING TITLE
 STRUCTURAL DETAILS - 1

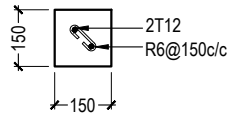
DESIGN STAGE
 CONCEPTUAL DESIGN
 BUILDING APPROVAL
 CONSTRUCTION DRAWINGS
 AS-BUILT DOCUMENTATION

DRAWN BY: NIHAAD, DESIGN BY: NIHAAD, CHECKED BY: NAFIU

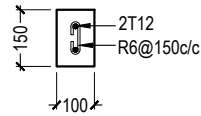
DISCIPLINE: STRUCTURAL, SHEET SIZE: A4, SCALE: 1:20

REV	DESCRIPTION	DATE
00	INCEPTION	05/09/2023
01	REVISION	06/08/2023

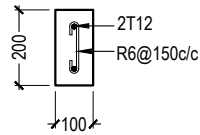
FIRST EMISSION: MAY 09, 2023, DRAWING NUMBER: S-5.01



STIFFENER COLUMN (SC)
COVER = 30mm



COPING BEAM (CB)
COVER = 30mm



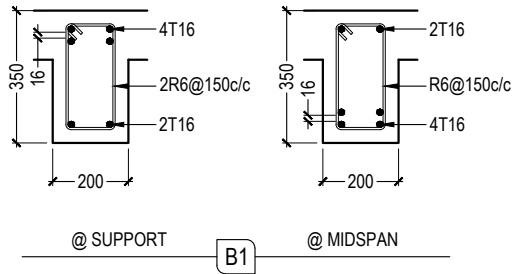
LINTEL BEAM (LB)
COVER = 30mm

NOTE :

STIFFENER BEAMS OR COLUMNS SHALL BE REQUIRED TO WALL AREAS GREATER THAN 12m² WHICH ARE UNSUPPORTED Laterally BY CONCRETE WALLS OR COLUMNS

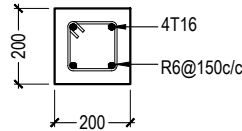
TYPICAL RC MEMBER DETAILS

SCALE - 1:20

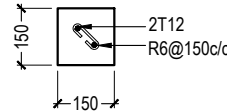


RC BEAM DETAILS

SCALE - 1:20



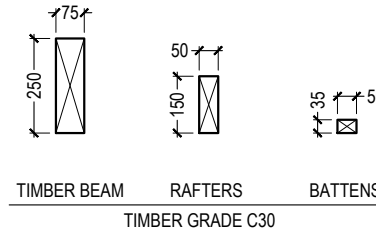
C1



C2

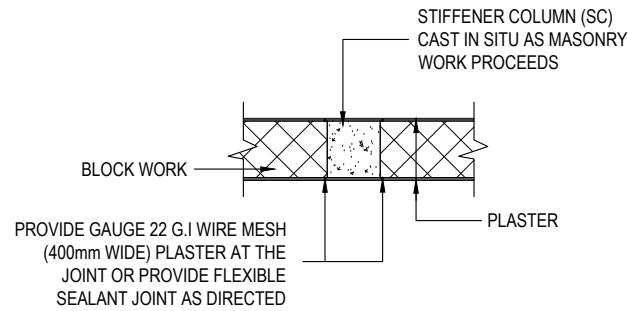
RC COLUMN DETAILS

SCALE - 1:20



STRUCTURAL TIMBER DETAILS

SCALE - 1:20



STIFFENER TO WALL DETAIL

SCALE - 1:100

NOTE :

- EXCEPT OTHERWISE NOTED
- FOOTING COVER = 50mm
 - TIE BEAM COVER = 50mm
 - COLUMN COVER = 40mm
 - BEAM COVER = 35mm
 - SLAB COVER = 30mm
 - MINIMUM CONCRETE GRADE: C30
 - MINIMUM TIMBER GRADE = C30

GENERAL NOTES

- Do not scale the drawings.
- All dimensions are in millimeters unless noted otherwise.
- All dimensions are indicative, and must be confirmed at the site by the contractor.



M. HONEY SEASON 2, 2ND FLOOR,
FULOONIYA GOALHI, MALE,
REPUBLIC OF MALDIVES
anova.mv@gmail.com
797 2992, 910 0623
© anova 2023

CLIENT

HAA. ALIFU. ATOLL COUNCIL

PROJECT NAME

OFFICE EXTENSION BUILDING

LOCATION

H.A. DHIDHDHOO

DRAWING TITLE

STRUCTURAL DETAILS - 2

DESIGN STAGE

- CONCEPTUAL DESIGN
- BUILDING APPROVAL
- CONSTRUCTION DRAWINGS
- AS-BUILT DOCUMENTATION

DRAWN BY

NIHAAD

DESIGN BY

NIHAAD

CHECKED BY

NAFIU

DISCIPLINE

STRUCTURAL

SHEET SIZE

A4

SCALE

1:20

REV	DESCRIPTION	DATE
00	INCEPTION	05/09/2023
01	REVISION	06/08/2023

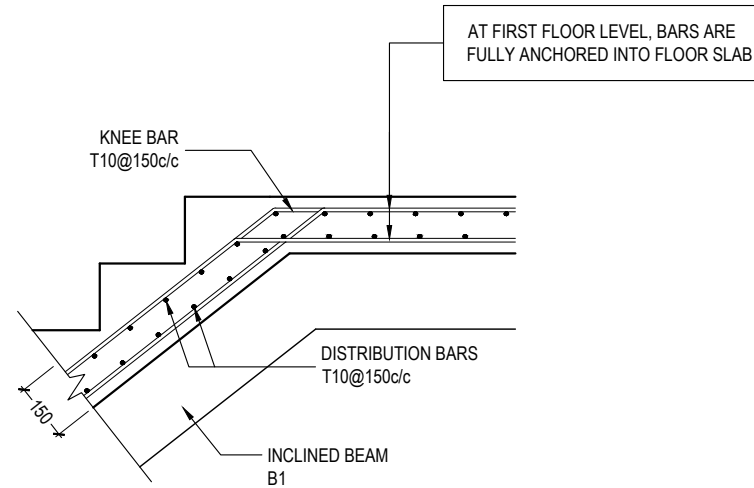
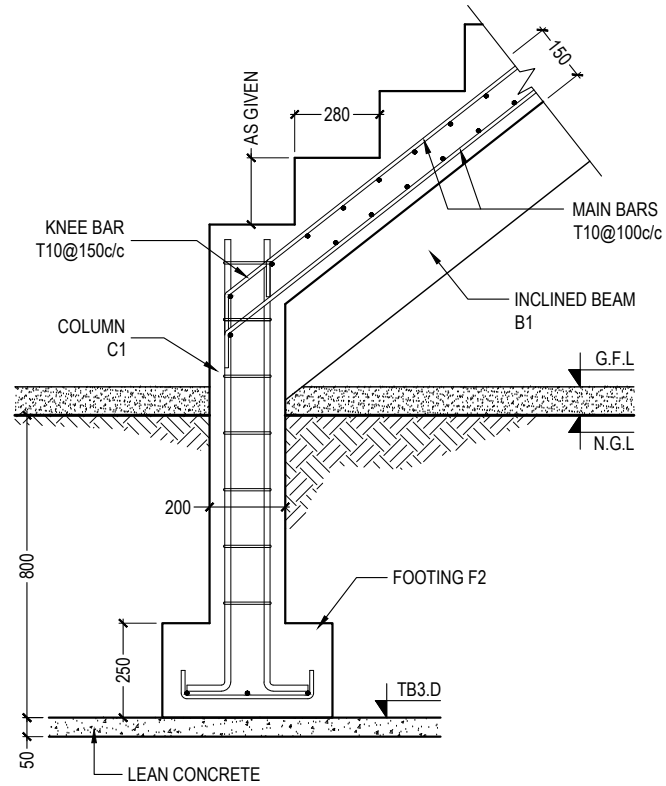
FIRST EMISSION

MAY 09, 2023

DRAWING NUMBER

S-5.02

UPDATE



NOTE :
 STEP RISE = 214.70mm
 STEP TREAD = 200mm
 FLOOR HEIGHT = 3650mm
 TOTAL NUMBER OF STEPS = 17no.s

STAIR STRUCTURAL DETAIL

SCALE - 1:20

GENERAL NOTES
 - Do not scale the drawings.
 - All dimensions are in millimeters unless noted otherwise.
 - All dimensions are indicative, and must be confirmed at the site by the contractor.



M. HONEY SEASON 2, 2ND FLOOR,
 FULOONIYA GOALHI, MALE',
 REPUBLIC OF MALDIVES
 anova.mv@gmail.com
 797 2992, 910 0623
 © anova 2023

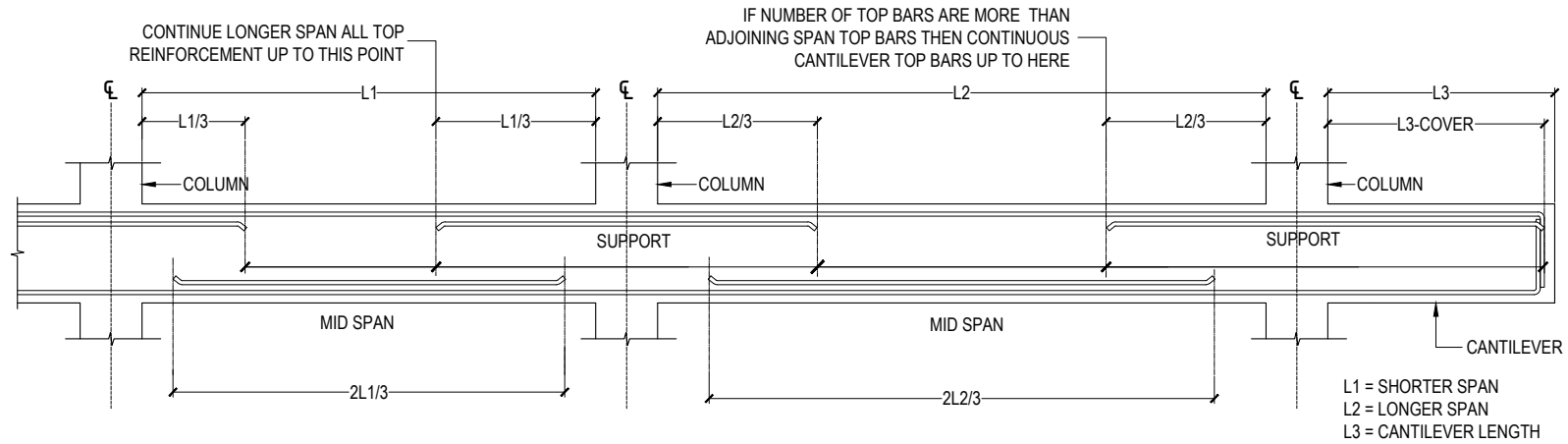
CLIENT HAA. ALIFU. ATOLL COUNCIL
PROJECT NAME OFFICE EXTENSION BUILDING
LOCATION H.A. DHIDHDHOO
DRAWING TITLE STRUCTURAL DETAILS - 3

DESIGN STAGE
<input type="radio"/> CONCEPTUAL DESIGN <input checked="" type="radio"/> BUILDING APPROVAL <input type="radio"/> CONSTRUCTION DRAWINGS <input type="radio"/> AS-BUILT DOCUMENTATION

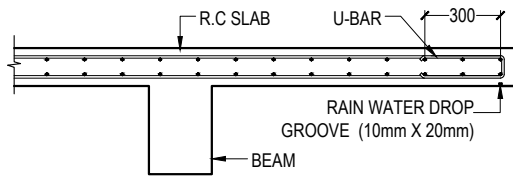
DRAWN BY NIHAAD	DESIGN BY NIHAAD	CHECKED BY NAFIU
DISCIPLINE STRUCTURAL	SHEET SIZE A4	SCALE 1:20

REV	DESCRIPTION	DATE
00	INCEPTION	05/09/2023
01	REVISION	06/08/2023

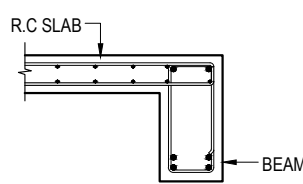
FIRST EMISSION MAY 09, 2023	DRAWING NUMBER S-5.03
UPDATE ---	



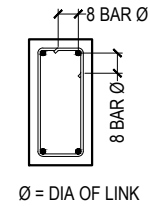
SIMPLIFIED DETAILING RULES FOR BEAMS



CANTILEVERED SLAB EDGE DETAIL



SLAB TO BEAM ANCHORAGE DETAIL



SHEAR LINKS ANCHORAGE DETAIL

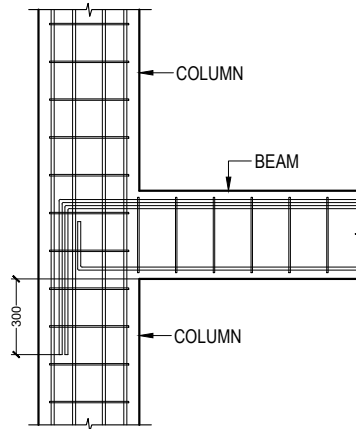
NOTE :

STANDARD DETAILS GIVEN HERE ALSO APPLIES TO FOUNDATION MEMBERS

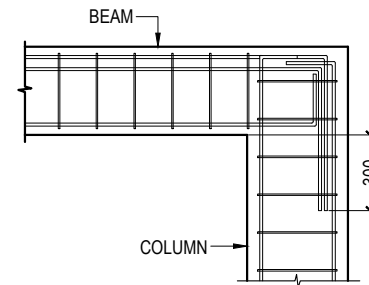
OTHER DETAILS NOT FOUND HERE SHALL BE REFERRED TO IN RELEVANT BS CODES OR SHALL BE APPROVED BY CLIENTS ENGINEER

STANDARD DETAILING RULES

NTS



BEAM TO COLUMN CONNECTION



END COLUMN TO BEAM CONNECTION

GENERAL NOTES
 - Do not scale the drawings.
 - All dimensions are in millimeters unless noted otherwise.
 - All dimensions are indicative, and must be confirmed at the site by the contractor.



M. HONEY SEASON 2, 2ND FLOOR,
 FULOONIYA GOALHI, MALE',
 REPUBLIC OF MALDIVES
 anova.mv@gmail.com
 797 2992, 910 0623
 © anova 2023

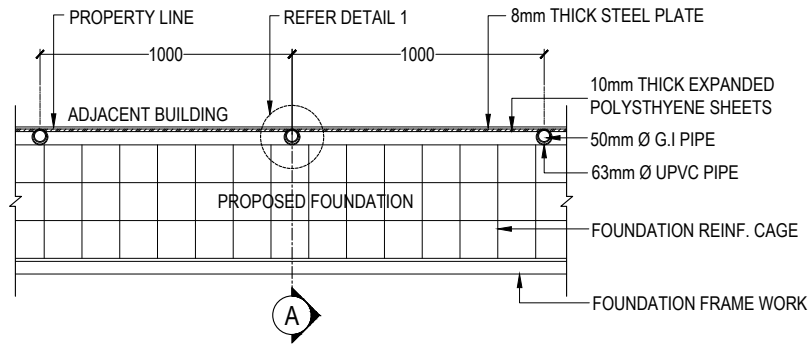
CLIENT HAA. ALIFU. ATOLL COUNCIL
PROJECT NAME OFFICE EXTENSION BUILDING
LOCATION H.A. DHIDHDHOO
DRAWING TITLE STANDARD DETAILING RULES

DESIGN STAGE
<input type="radio"/> CONCEPTUAL DESIGN <input checked="" type="radio"/> BUILDING APPROVAL <input type="radio"/> CONSTRUCTION DRAWINGS <input type="radio"/> AS-BUILT DOCUMENTATION

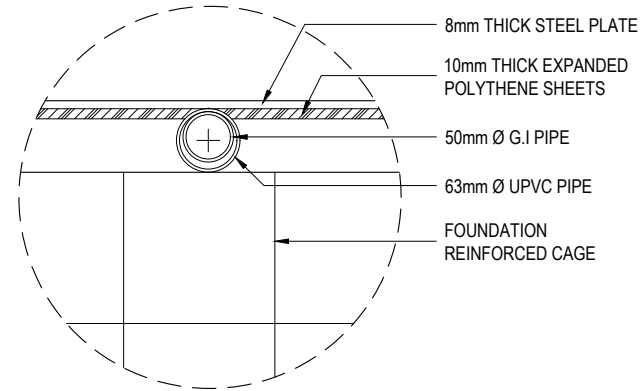
DRAWN BY NIHAAD	DESIGN BY NIHAAD	CHECKED BY NAFIU
DISCIPLINE STRUCTURAL	SHEET SIZE A4	SCALE NTS

REV	DESCRIPTION	DATE
00	INCEPTION	05/09/2023
01	REVISION	06/08/2023

FIRST EMISSION MAY 09, 2023	DRAWING NUMBER S-5.04
UPDATE ---	



SHORING DETAIL PLAN VIEW



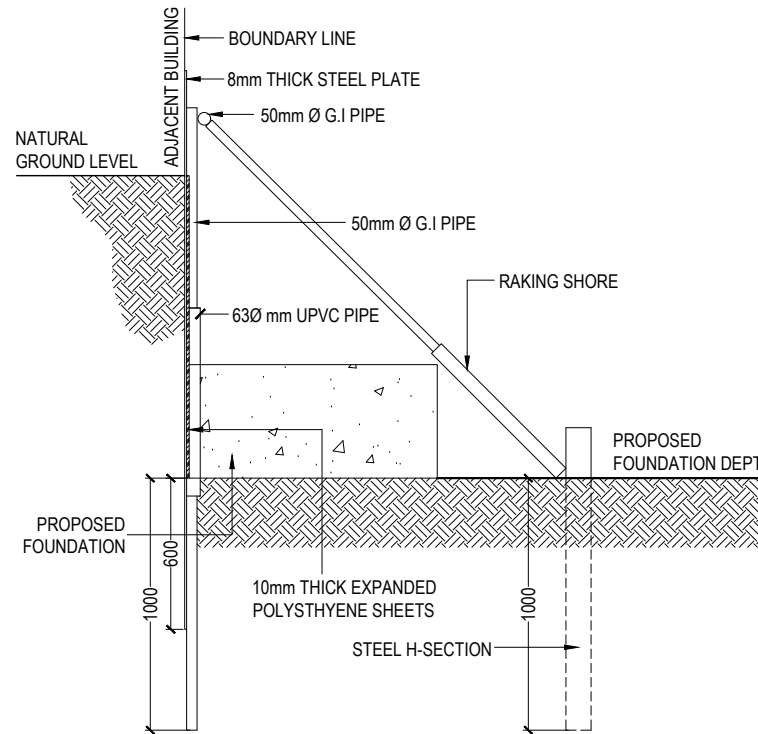
DETAIL - 1

METHOD OF PROTECTING ADJACENT STRUCTURES DURING EXCAVATION FOR FOUNDATION

1. BEFORE THE LEVEL OF EXCAVATION REACHES THE BOTTOM OF THE ADJACENT FOUNDATION, PLACE THE STEEL PLATE AGAINST THE ADJACENT PROPERTY AND DRIVE THE UPRIGHT G.I PIPES (WITH THE UPVC SLEEVES) INTO THE GROUND.
2. DRIVE THE STEEL PLATES 400-500 mm INTO THE GROUND
3. EXCAVATE ANOTHER 300mm DEEPER.
4. DRIVE THE STEEL PLATE ANOTHER 300mm DEEPER.
5. FOLLOW THIS PROCEDURE UNTIL THE REQUIRED DEPTH (AS SHOWN IN THE DIAGRAM) IS REACHED.
6. PROP THE G.I PIPES USING WALING AND RAKING SHORES AS SHOWN IN THE DIAGRAM.
7. POUR THE FOUNDATION.
8. AFTER 3 DAYS REMOVE THE UPRIGHT G.I PIPES AND PLACE THE WALING AGAINST THE STEEL SHEET, USING RAKING SHORES AS BEFORE.
9. GROUT THE SPACE INSIDE UPVC PIPES.
10. WHILE BACKFILLING, REMOVE STEEL SHEETS AND RAKING SHORES.

NOTE

STEEL PLATES MAY REQUIRE STIFFENING WITH WELDED ANGLES IN BOTH DIRECTIONS. EXCAVATION & SHORE PROTECTION MUST PROCEED IN PORTIONS, DECIDED BASED ON SITE CONDITIONS FOR MAXIMUM SAFETY & PROTECTION.



SECTION - A

FOUNDATION PROTECTION METHOD

NTS

GENERAL NOTES
 - Do not scale the drawings.
 - All dimensions are in millimeters unless noted otherwise.
 - All dimensions are indicative, and must be confirmed at the site by the contractor.



M. HONEY SEASON 2, 2ND FLOOR,
 FULOONIYA GOALHI, MALE,
 REPUBLIC OF MALDIVES
 anova.mv@gmail.com
 797 2992, 910 0623
 © anova 2023

CLIENT HAA. ALIFU. ATOLL COUNCIL
PROJECT NAME OFFICE EXTENSION BUILDING
LOCATION H.A. DHIDHDHOO
DRAWING TITLE FOUNDATION PROTECTION METHOD

DESIGN STAGE
<input type="radio"/> CONCEPTUAL DESIGN <input checked="" type="radio"/> BUILDING APPROVAL <input type="radio"/> CONSTRUCTION DRAWINGS <input type="radio"/> AS-BUILT DOCUMENTATION

DRAWN BY NIHAAD	DESIGN BY NIHAAD	CHECKED BY NAFIU
DISCIPLINE STRUCTURAL	SHEET SIZE A4	SCALE NTS

REV	DESCRIPTION	DATE
00	INCEPTION	05/09/2023
01	REVISION	06/08/2023

FIRST EMISSION MAY 09, 2023	DRAWING NUMBER S-5.05
UPDATE ---	

GENERAL NOTES
 - Do not scale the drawings.
 - All dimensions are in millimeters unless noted otherwise.
 - All dimensions are indicative, and must be confirmed at the site by the contractor.

ANOVA

M. HONEY SEASON 2, 2ND FLOOR,
 FULOONIYA GOALHI, MALE,
 REPUBLIC OF MALDIVES
 anova.mv@gmail.com
 797 2992 , 910 0623
 © anova 2023

CLIENT
HAA. ALIFU. ATOLL COUNCIL

PROJECT NAME
OFFICE EXTENSION BUILDING

LOCATION
H.A. DHIDHDHOO

DRAWING TITLE
GROUND FLOOR LIGHTING PLAN

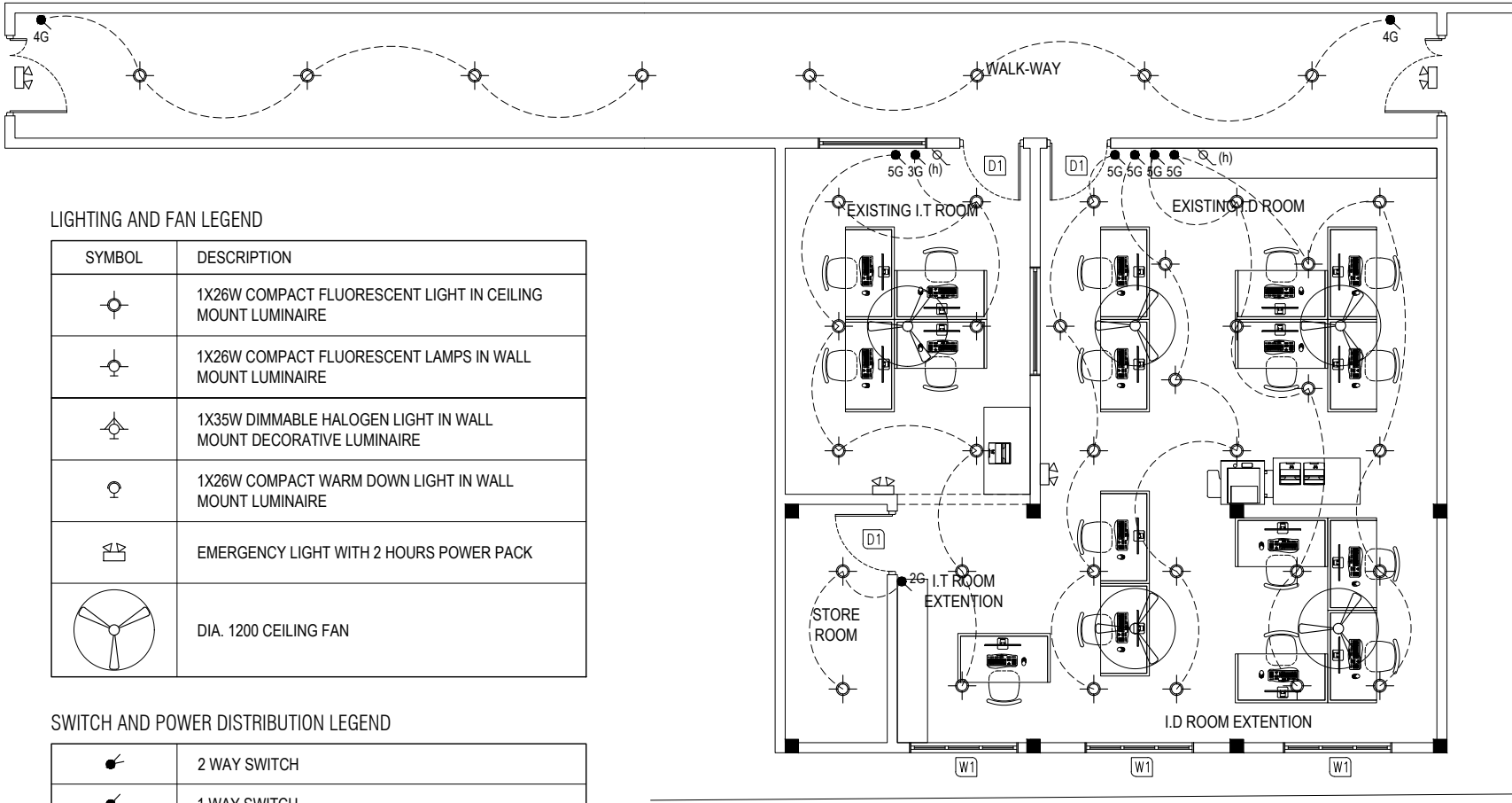
DESIGN STAGE

- CONCEPTUAL DESIGN
- BUILDING APPROVAL
- CONSTRUCTION DRAWINGS
- AS-BUILT DOCUMENTATION

DRAWN BY NIHAAD	DESIGN BY NIHAAD	CHECKED BY NAFIU
DISCIPLINE ELECTRICAL	SHEET SIZE A4	SCALE 1:100

REV	DESCRIPTION	DATE
00	INCEPTION	05/09/2023
01	REVISION	06/08/2023

FIRST EMISSION MAY 09, 2023	DRAWING NUMBER
UPDATE ---	E-2.01



LIGHTING AND FAN LEGEND

SYMBOL	DESCRIPTION
	1X26W COMPACT FLUORESCENT LIGHT IN CEILING MOUNT LUMINAIRE
	1X26W COMPACT FLUORESCENT LAMPS IN WALL MOUNT LUMINAIRE
	1X35W DIMMABLE HALOGEN LIGHT IN WALL MOUNT DECORATIVE LUMINAIRE
	1X26W COMPACT WARM DOWN LIGHT IN WALL MOUNT LUMINAIRE
	EMERGENCY LIGHT WITH 2 HOURS POWER PACK
	DIA. 1200 CEILING FAN

SWITCH AND POWER DISTRIBUTION LEGEND

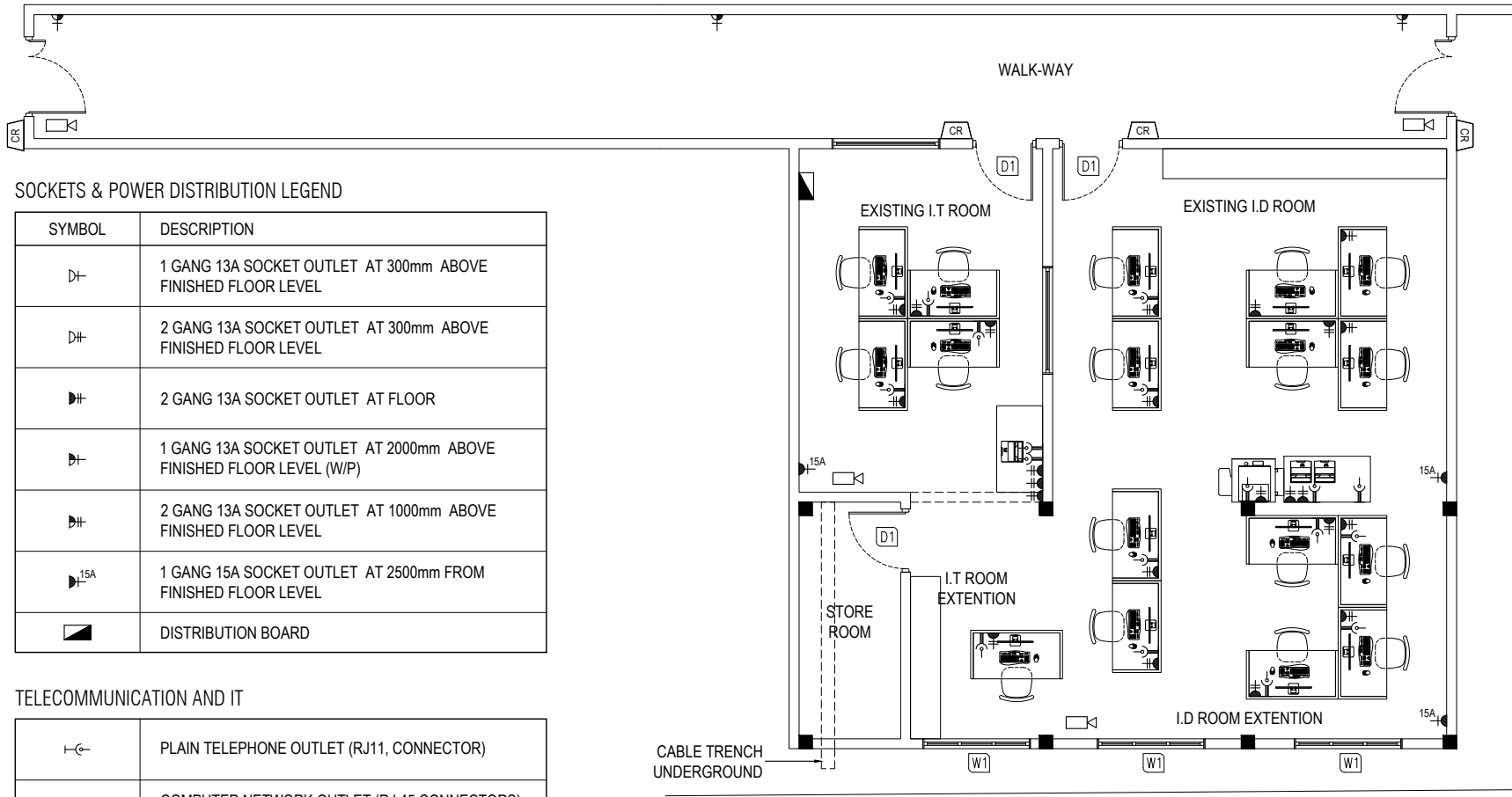
	2 WAY SWITCH
	1 WAY SWITCH
	FAN / LIGHT DIMMER 2 WAY SWITCH
	FAN / LIGHT DIMMER 1 WAY SWITCH
	DISTRIBUTION BOARD

NOTE :

- 1G = ONE GANG SWITCH
- 2G = TWO GANG SWITCH
- 3G = THREE GANG SWITCH
- 4G = TWO GANG SWITCH
- 5G = FIVE GANG SWITCH

GROUND FLOOR LIGHTING PLAN

SCALE - 1:100



SOCKETS & POWER DISTRIBUTION LEGEND

SYMBOL	DESCRIPTION
	1 GANG 13A SOCKET OUTLET AT 300mm ABOVE FINISHED FLOOR LEVEL
	2 GANG 13A SOCKET OUTLET AT 300mm ABOVE FINISHED FLOOR LEVEL
	2 GANG 13A SOCKET OUTLET AT FLOOR
	1 GANG 13A SOCKET OUTLET AT 2000mm ABOVE FINISHED FLOOR LEVEL (W/P)
	2 GANG 13A SOCKET OUTLET AT 1000mm ABOVE FINISHED FLOOR LEVEL
	1 GANG 15A SOCKET OUTLET AT 2500mm FROM FINISHED FLOOR LEVEL
	DISTRIBUTION BOARD

TELECOMMUNICATION AND IT

	PLAIN TELEPHONE OUTLET (RJ11, CONNECTOR)
	COMPUTER NETWORK OUTLET (RJ 45 CONNECTORS) AT 2400mm FOR ROUTER
	T.V POINT WITH 13A SOCKET AT TV LEVEL
	BUILDING ACCESS CARD READER
	CCTV POINT. ALL CCTV TO BE PROVIDED WITH 13A SOCKET AND NETWORK OUTLET CONNECTION AT CEILING LEVEL

NOTE :

- | | |
|-----------------------|-----------------------|
| W/P = WATER PROOF | A/C = AIR CONDITIONER |
| E/L = EMERGENCY LIGHT | R/F = REFRIGERATOR |
| S/V = STOVE | W/M = WASHING MACHINE |
| H/T = HEATER | ED = ELECTRICAL DUCT |
| H/D = HOOD | PD = PLUMBING DUCT |
| B/P = BOOSTER PUMP | |

GENERAL NOTES

- Do not scale the drawings.
- All dimensions are in millimeters unless noted otherwise.
- All dimensions are indicative, and must be confirmed at the site by the contractor.



M. HONEY SEASON 2, 2ND FLOOR,
FULOONIYA GOALHI, MALE',
REPUBLIC OF MALDIVES
anova.mv@gmail.com
797 2992 , 910 0623
© anova 2023

CLIENT
HAA. ALIFU. ATOLL COUNCIL

PROJECT NAME
OFFICE EXTENSION BUILDING

LOCATION
H.A. DHIDHDHOO

DRAWING TITLE
GROUND FLOOR POWER,
TELECOM & IT PLAN

DESIGN STAGE
 CONCEPTUAL DESIGN
 BUILDING APPROVAL
 CONSTRUCTION DRAWINGS
 AS-BUILT DOCUMENTATION

DRAWN BY NIHAAD	DESIGN BY NIHAAD	CHECKED BY NAFIU
--------------------	---------------------	---------------------

DISCIPLINE ELECTRICAL	SHEET SIZE A4	SCALE 1:100
--------------------------	------------------	----------------

REV	DESCRIPTION	DATE
00	INCEPTION	05/09/2023
01	REVISION	06/08/2023

FIRST EMISSION MAY 09, 2023	DRAWING NUMBER
--------------------------------	----------------

UPDATE ---	E-2.02
---------------	---------------

GROUND FLOOR POWER, TELECOM & IT PLAN

SCALE - 1:100

GENERAL NOTES
 - Do not scale the drawings.
 - All dimensions are in millimeters unless noted otherwise.
 - All dimensions are indicative, and must be confirmed at the site by the contractor.

ANOVA

M. HONEY SEASON 2, 2ND FLOOR,
 FULOONIYA GOALHI, MALE,
 REPUBLIC OF MALDIVES
 anova.mv@gmail.com
 797 2992 , 910 0623
 © anova 2023

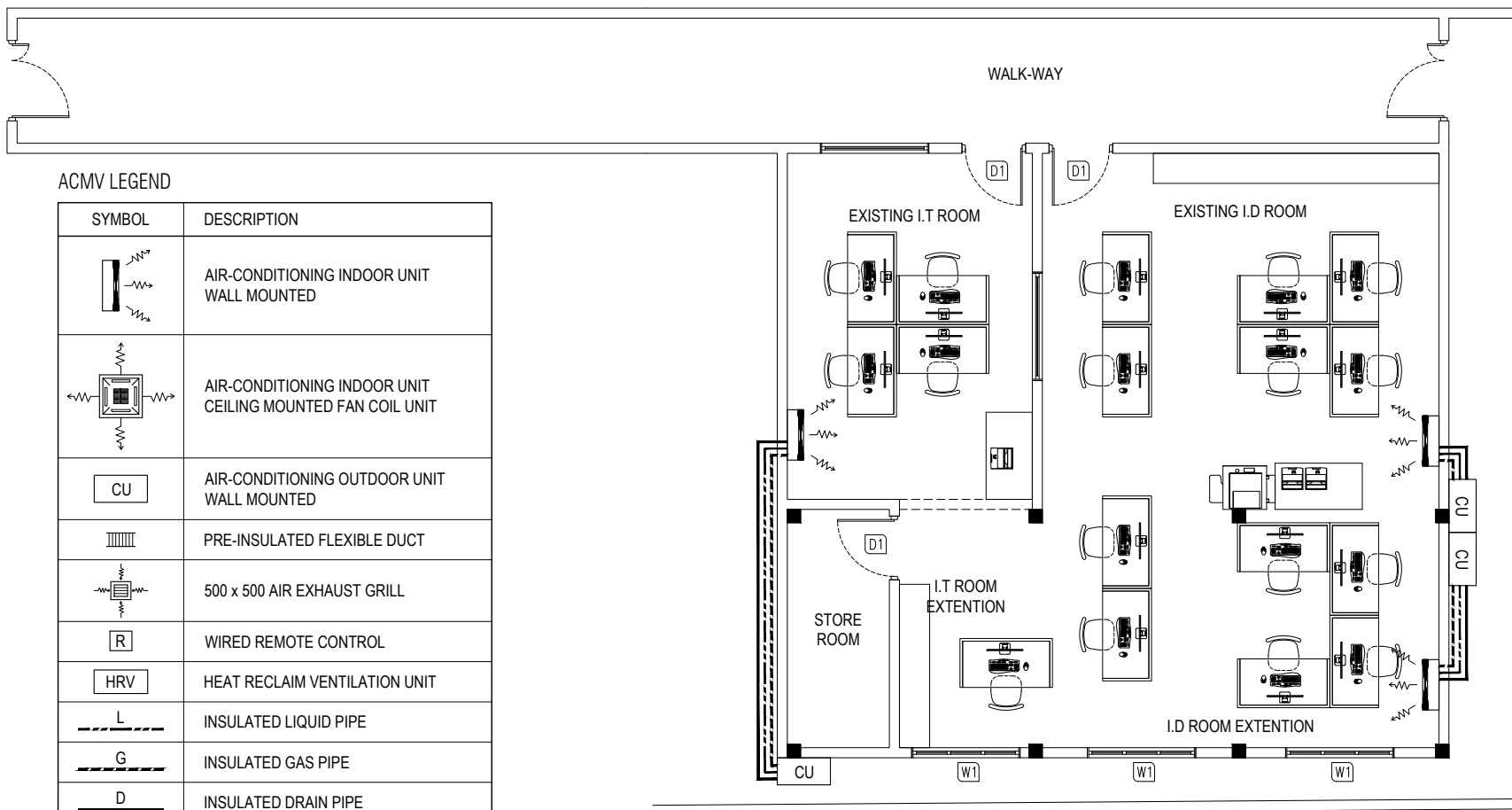
CLIENT HAA. ALIFU. ATOLL COUNCIL
PROJECT NAME OFFICE EXTENSION BUILDING
LOCATION H.A. DHIDHDHOO
DRAWING TITLE GROUND FLOOR ACMV PLAN

DESIGN STAGE
<input type="radio"/> CONCEPTUAL DESIGN <input checked="" type="radio"/> BUILDING APPROVAL <input type="radio"/> CONSTRUCTION DRAWINGS <input type="radio"/> AS-BUILT DOCUMENTATION

DRAWN BY NIHAAD	DESIGN BY NIHAAD	CHECKED BY NAFIU
DISCIPLINE ELECTRICAL	SHEET SIZE A4	SCALE 1:100

REV	DESCRIPTION	DATE
00	INCEPTION	05/09/2023
01	REVISION	06/08/2023

FIRST EMISSION MAY 09, 2023	DRAWING NUMBER E-2.03
UPDATE ---	



ACMV LEGEND

SYMBOL	DESCRIPTION
	AIR-CONDITIONING INDOOR UNIT WALL MOUNTED
	AIR-CONDITIONING INDOOR UNIT CEILING MOUNTED FAN COIL UNIT
	AIR-CONDITIONING OUTDOOR UNIT WALL MOUNTED
	PRE-INSULATED FLEXIBLE DUCT
	500 x 500 AIR EXHAUST GRILL
	WIRED REMOTE CONTROL
	HEAT RECLAIM VENTILATION UNIT
	INSULATED LIQUID PIPE
	INSULATED GAS PIPE
	INSULATED DRAIN PIPE
A TO B	ABOVE TO BELOW
B TO A	BELOW TO ABOVE

NOTE :

FCU = FAN COIL UNIT
 CU = COMPRESSOR UNIT
 ED = ELECTRICAL DUCT
 PD = PLUMBING DUCT

GROUND FLOOR ACMV PLAN

SCALE - 1:100