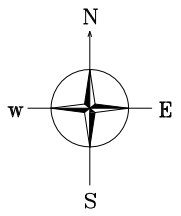
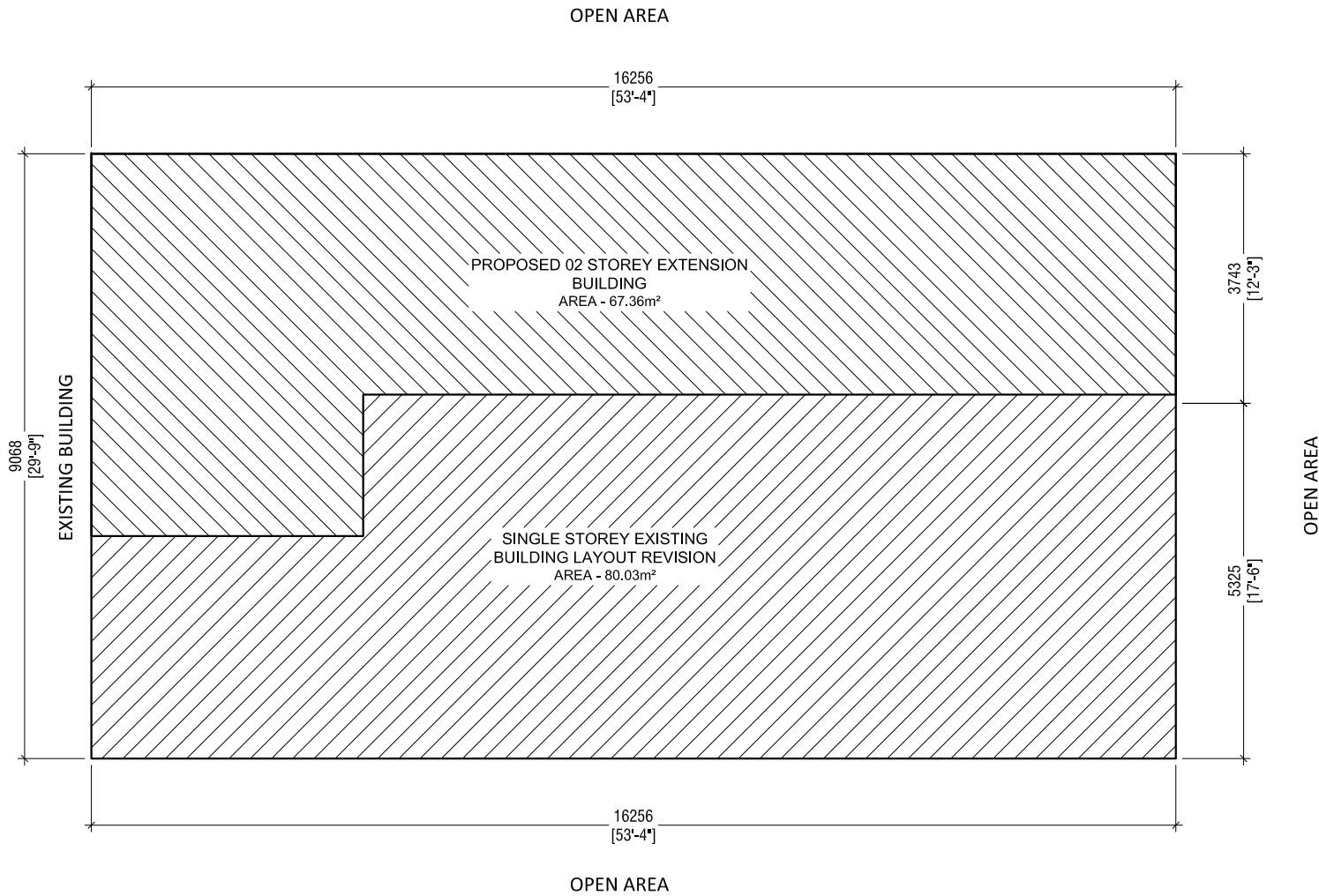


HAA ALIF, COUNCIL BUILDING [EXTENSION]
ARCHITECTURAL, STRUCTURAL DETAIL DRAWING
30th - OCTOBER - 2021

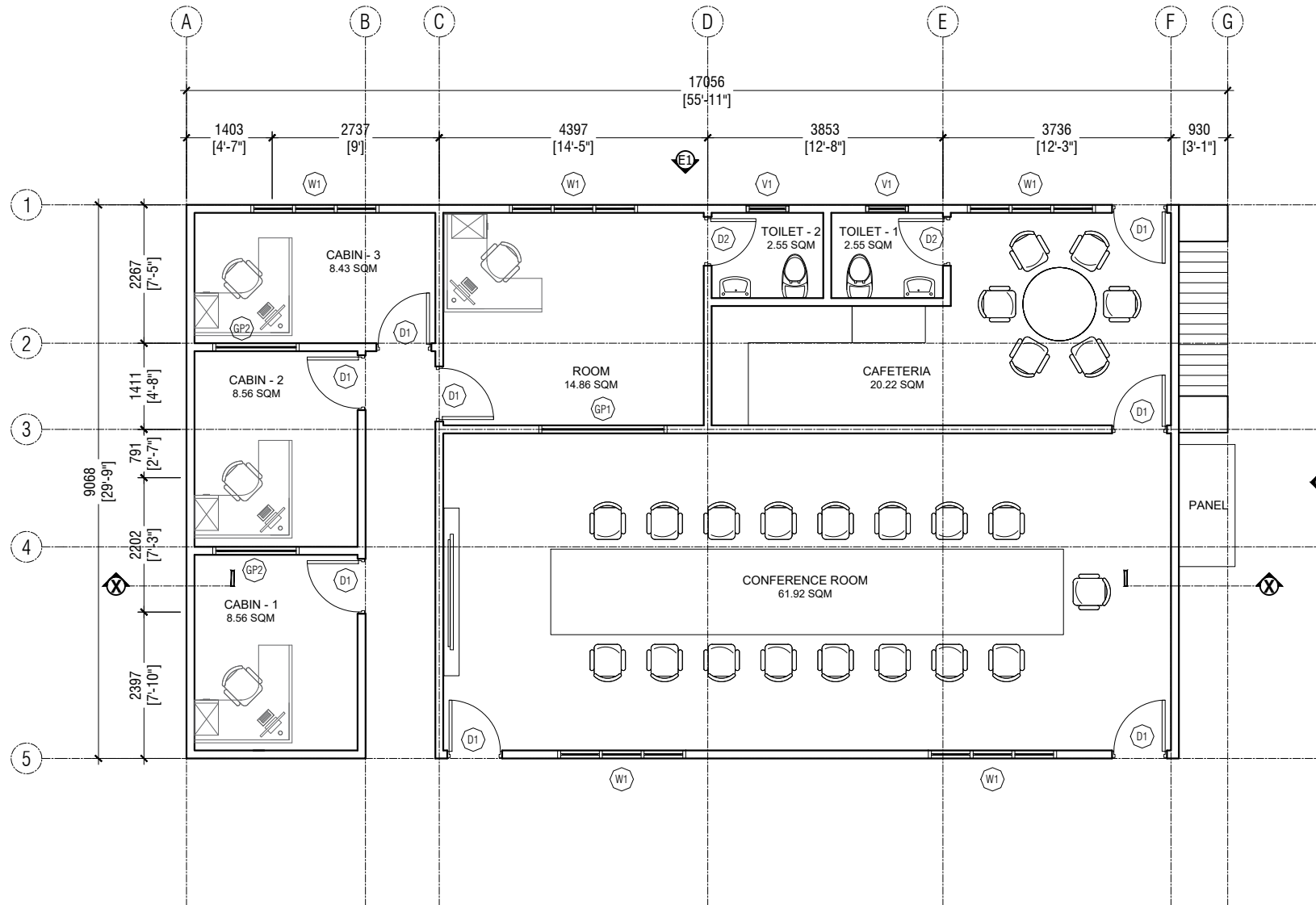


SITE PLAN

SCALE 1:100



| | | | |
|---|---------------------------|----------------------------|--------------------------|
| PROJECT: HAA ALIF, COUNCIL BUILDING | TITLE: SITE PLAN | ARCHITECTURAL CHECKER — | STRUCTURAL ENGINEER — |
| CLIENT: — | DRAFT BY: ISMAIL NILAM | STRUCTURAL CHECKER — | PROJECT NO. FLP/21/08 |
| | | ARCHITECT — | DATE 21/11/2021 |
| | | | SCALE AS GIVEN |
| | | | PAGE NO. AR-01 |



GROUND FLOOR PLAN

SCALE 1:100



PROJECT:
HAA ALIF,
COUNCIL BUILDING

CLIENT:
-

TITLE:
GROUND FLOOR PLAN

DRAFT BY:
ISMAIL NILAM

ARCHITECTURAL CHECKER
-

STRUCTURAL CHECKER
-

ARCHITECT
-

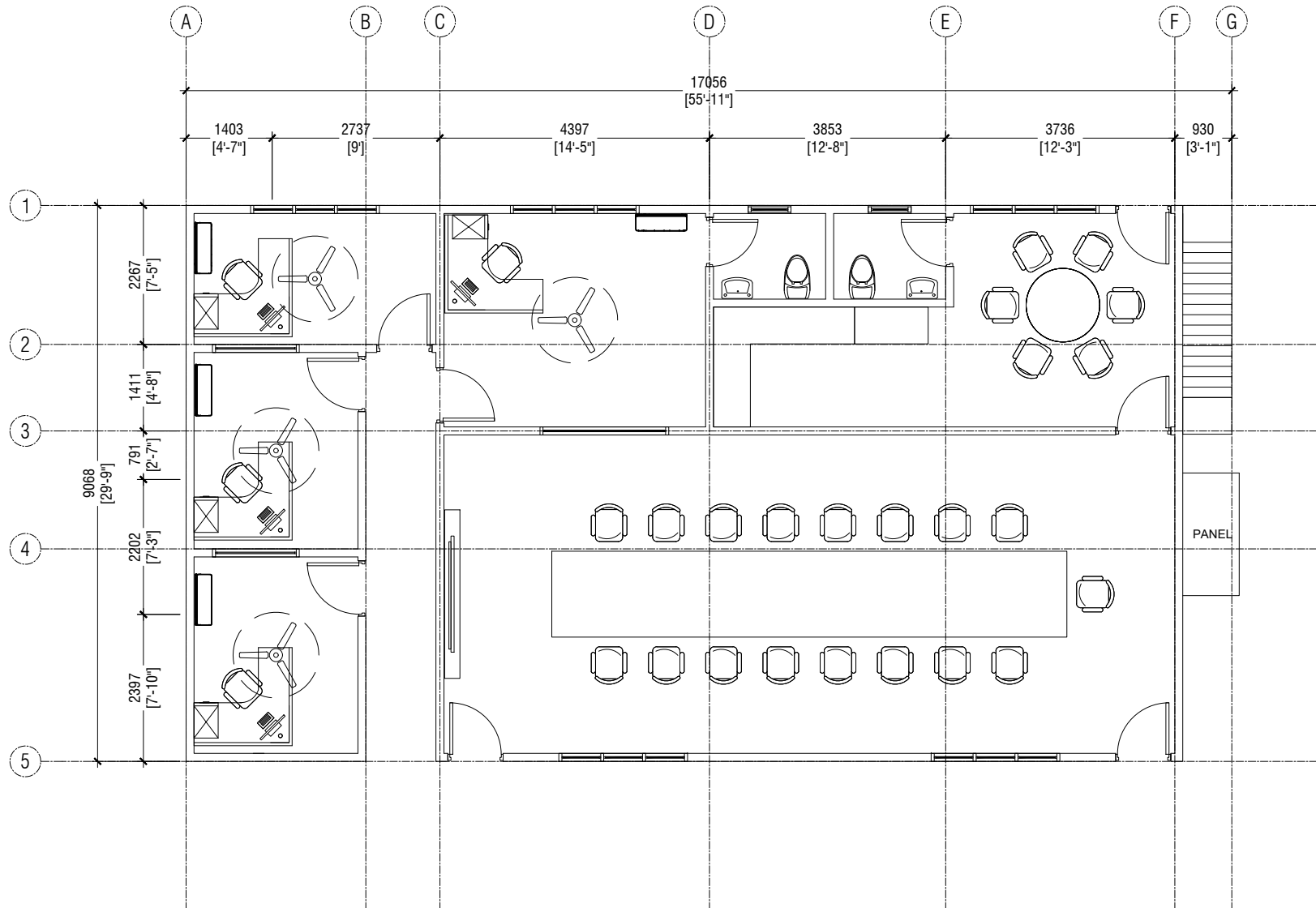
STRUCTURAL ENGINEER
-

PROJECT NO.
FLP/21/08

SCALE
AS GIVEN

DATE
21/11/2021

PAGE NO.
AR-02

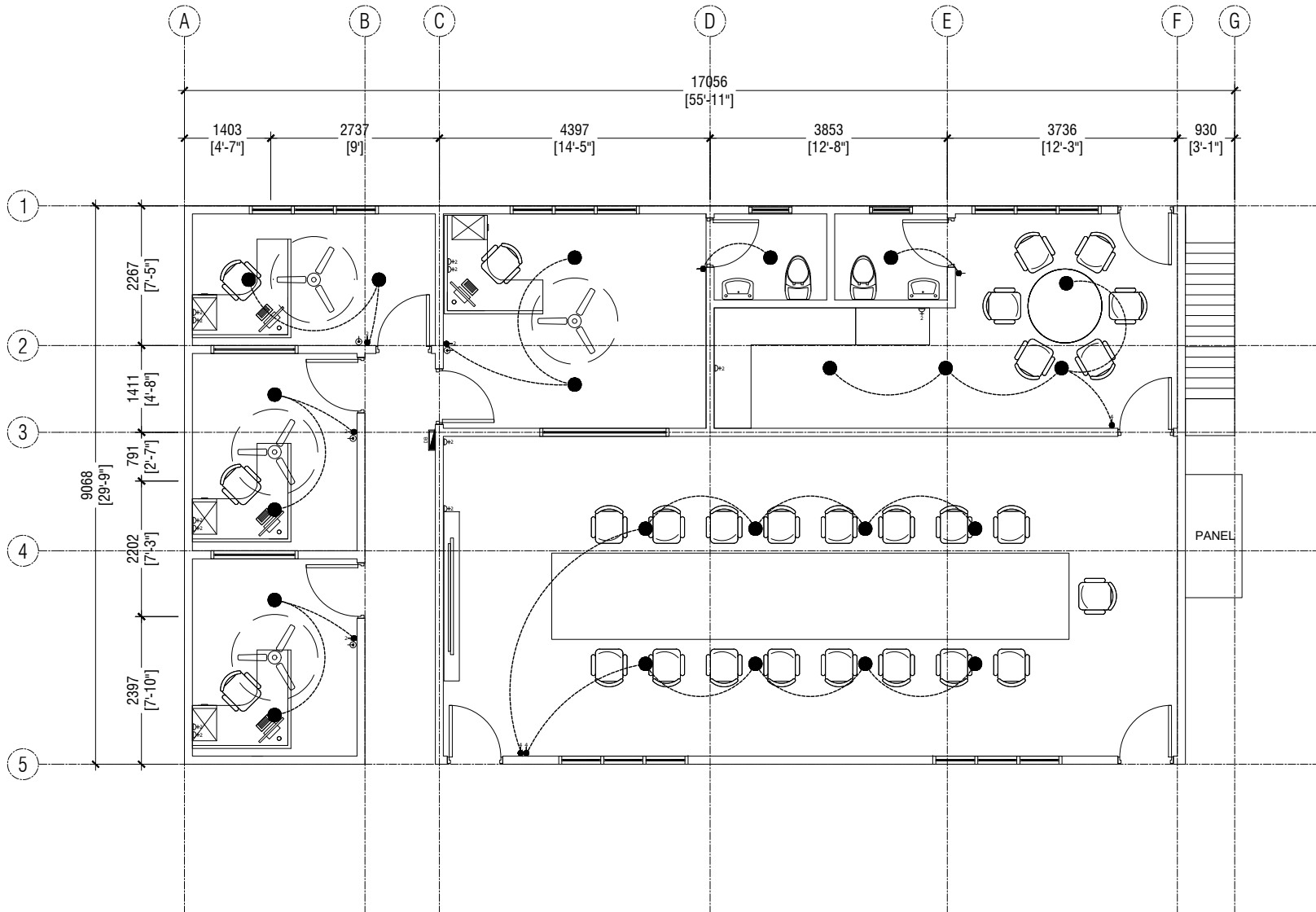


GROUND FLOOR HVAC PLAN

SCALE 1:100



| | | | |
|---|----------------------------------|----------------------------|--------------------------|
| PROJECT: HAA ALIF, COUNCIL BUILDING | TITLE: GROUND FLOOR HVAC PLAN | ARCHITECTURAL CHECKER - | STRUCTURAL ENGINEER - |
| CLIENT: - | DRAFT BY: ISMAIL NILAM | STRUCTURAL CHECKER - | PROJECT NO. FLP/21/08 |
| | | ARCHITECT - | DATE 21/11/2021 |
| | | | SCALE AS GIVEN |
| | | | PAGE NO. |



| SYMBOL | DESCRIPTION |
|--------|--|
| ● | ONE GANG SWITCH |
| ● | TWO GANG SWITCH |
| ● | THREE GANG SWITCH |
| ● | FOUR GANG SWITCH |
| ⊞ | ONE GANG SWITCH (TWO-WAY) |
| ⊞ | FAN DIMMER SWITCH |
| ⊕ | 13 AMP SOCKET |
| ⊕ | 13 AMP DOUBLE SOCKET |
| ⊕ | 15 AMP SOCKET |
| ⊕ | CABLE TV POINT |
| ⊕ | PENDANT LIGHT - DINING TABLE |
| ⊕ | WALL LIGHT - WEATHER PROOF (ARCHITECTURAL) |
| ● | 150 MM Ø RECESSED CEILING DOWN LIGHT |
| ⊕ | WALL RECESSED DISTRIBUTION BOX PANEL |

NOTE:

ALL WIRING TO BE OF
STELCO/ FENAKA APPROVED STANDARDS
ALL WIRINGS TO BE DONE
IN CONDUITS INSIDE SLABS/WALLS

FLOOR LEVEL SOCKETS
= 300mm FROM FLR FIN. LEV.
SWITCH CONTROL / SOCKET
= 1100 - 1200mm
FROM FLOOR FIN. LEVEL

KITCHEN SOCKETS
= 1150 - 1250mm
FROM FLOOR FIN. LEVEL

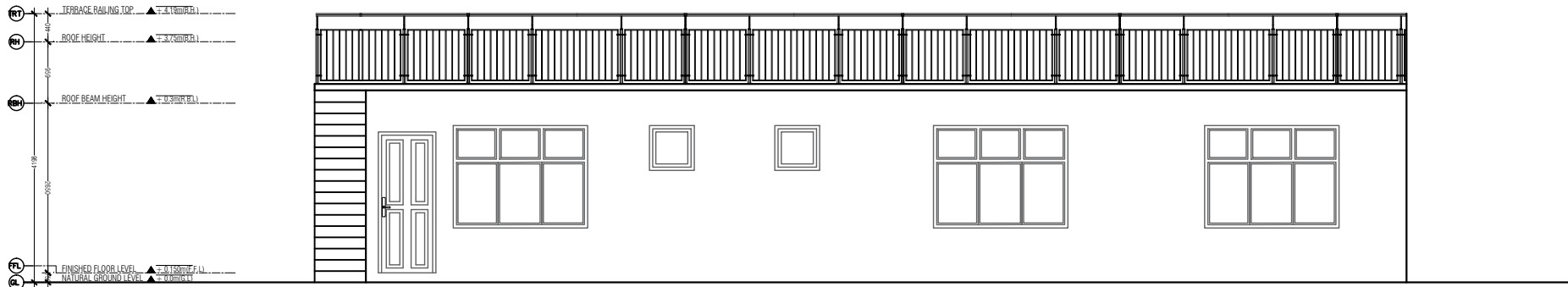
AC / WH / EL
= 2500 - 2700mm
FROM FLOOR FIN. LEVEL

ELECTRICAL PLAN

SCALE 1:100

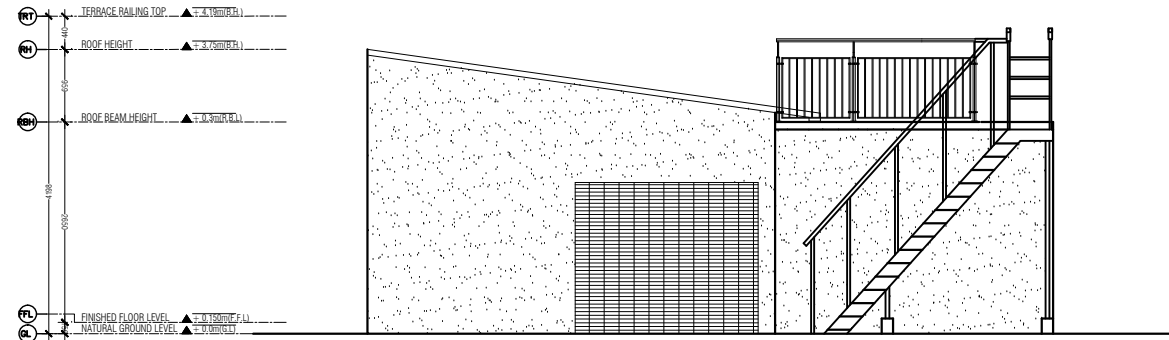


| | | | |
|---|---------------------------|----------------------------|--------------------------|
| PROJECT: HAA ALIF, COUNCIL BUILDING | TITLE: ELECTRICAL PLAN | ARCHITECTURAL CHECKER — | STRUCTURAL ENGINEER — |
| CLIENT: — | DRAFT BY: ISMAIL NILAM | STRUCTURAL CHECKER — | PROJECT NO. FLP/21/08 |
| | | ARCHITECT — | DATE 21/11/2021 |
| | | | SCALE AS GIVEN |
| | | | PAGE NO. |



ELEVATION - 1

SCALE 1:100

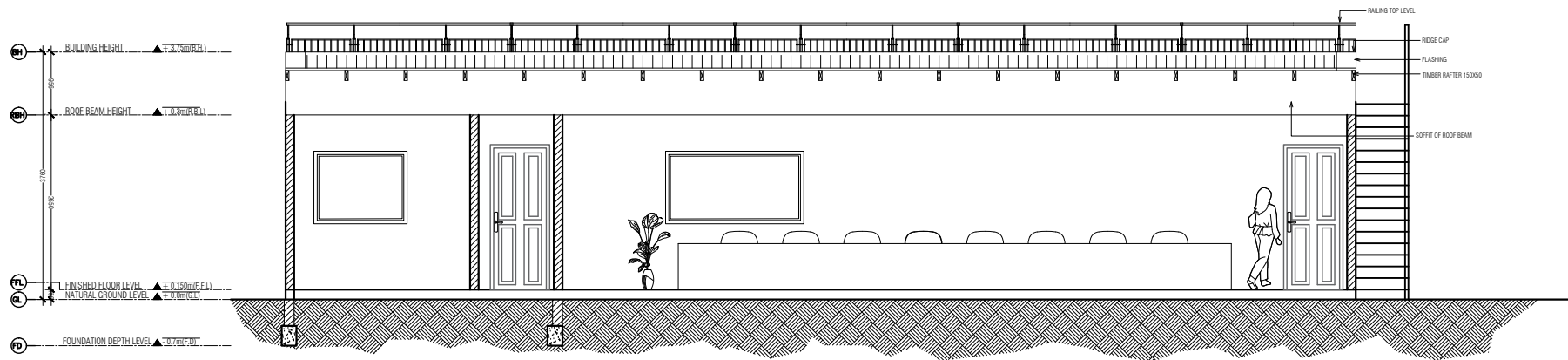


ELEVATION - 2

SCALE 1:100



| | | | |
|---|---------------------------|----------------------------|--------------------------|
| PROJECT: HAA ALIF, COUNCIL BUILDING | TITLE: ELEVATIONS | ARCHITECTURAL CHECKER — | STRUCTURAL ENGINEER — |
| CLIENT: — | DRAFT BY: ISMAIL NILAM | STRUCTURAL CHECKER — | PROJECT NO. FLP/21/08 |
| | | ARCHITECT — | DATE 21/11/2021 |
| | | | SCALE AS GIVEN |
| | | | PAGE NO. AR-03 |

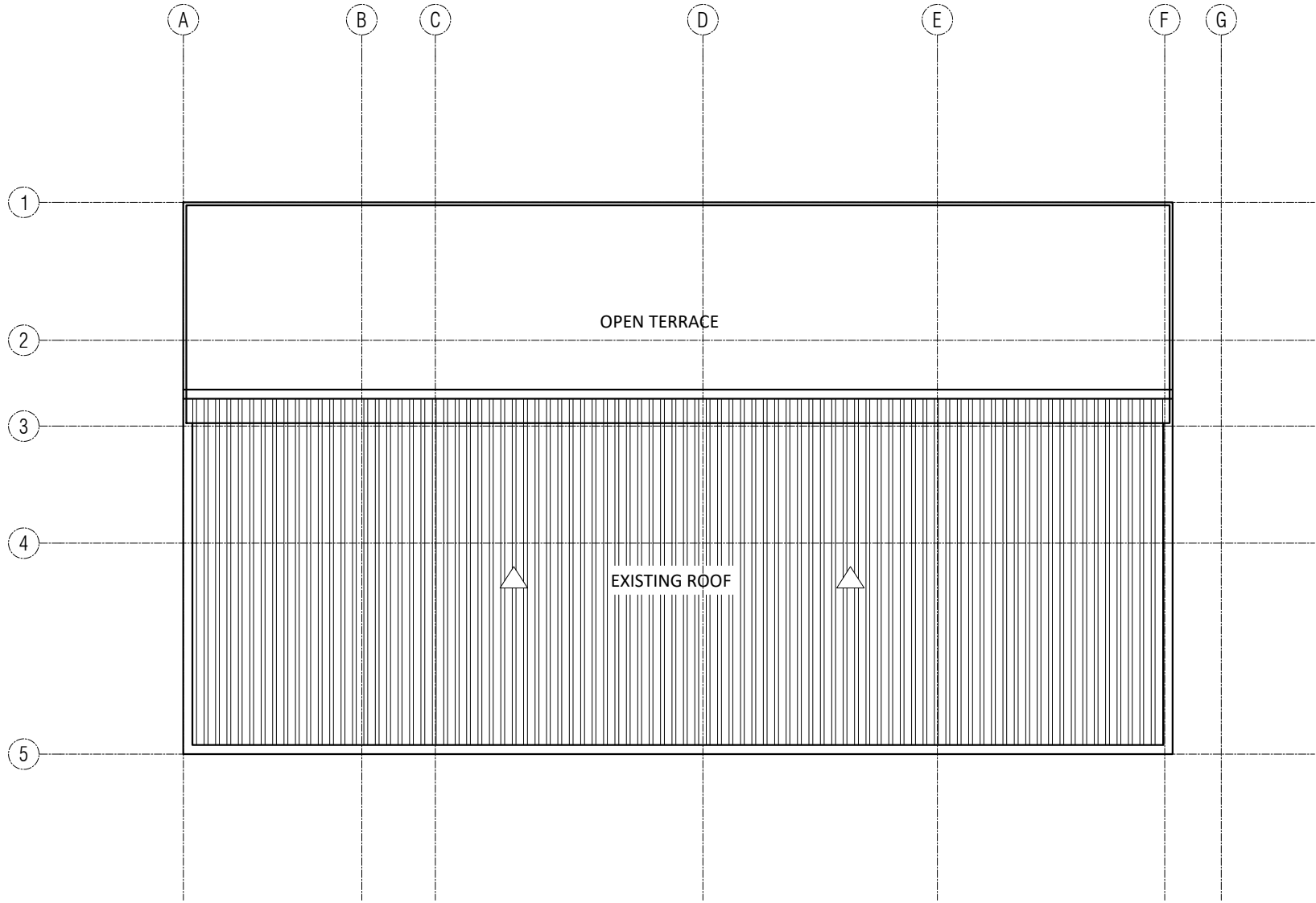


SECTION X-X

SCALE 1:100



| | | | |
|---|---------------------------|----------------------------|--------------------------|
| PROJECT: HAA ALIF, COUNCIL BUILDING | TITLE: SECTION X-X | ARCHITECTURAL CHECKER — | STRUCTURAL ENGINEER — |
| CLIENT: — | DRAFT BY: ISMAIL NILAM | STRUCTURAL CHECKER — | PROJECT NO. FLP/21/08 |
| | | ARCHITECT — | DATE 21/11/2021 |
| | | | SCALE AS GIVEN |
| | | | PAGE NO. AR-04 |



ROOF PLAN

SCALE 1:100



PROJECT:
HAA ALIF,
COUNCIL BUILDING

CLIENT:
-

TITLE:
ROOF PLAN

DRAFT BY:
ISMAIL NILAM

ARCHITECTURAL CHECKER
-

STRUCTURAL CHECKER
-

ARCHITECT
-

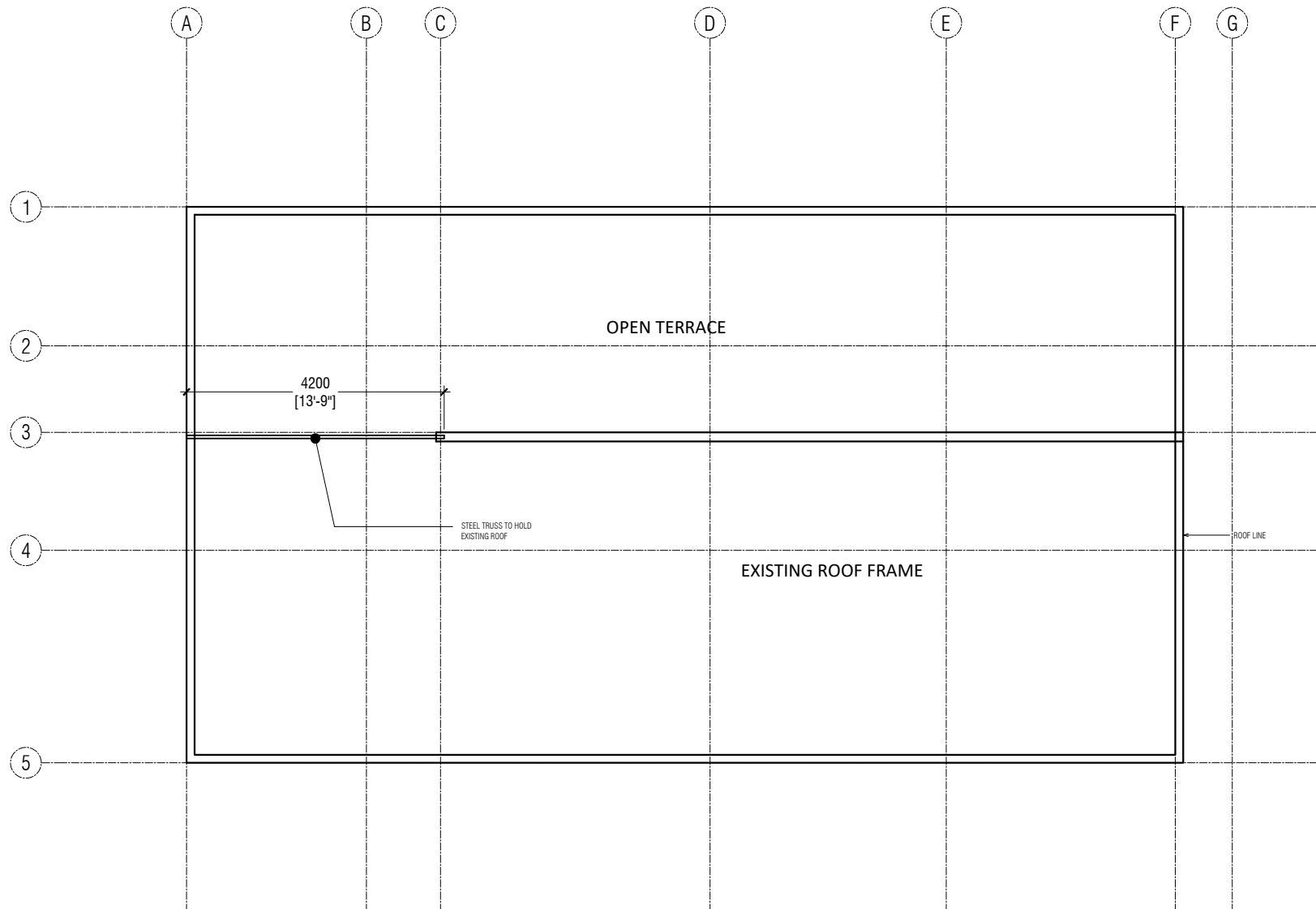
STRUCTURAL ENGINEER
-

PROJECT NO.
FLP/21/08

SCALE
AS GIVEN

DATE
21/11/2021

PAGE NO.
AR-05

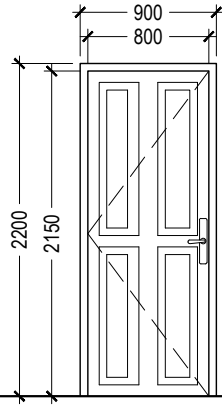


ROOF FRAMING PLAN

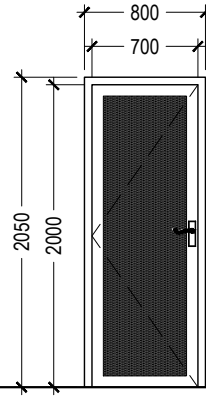
SCALE 1:100



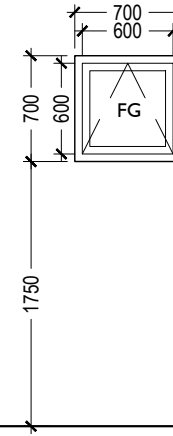
| | | | |
|---|---------------------------|----------------------------|--------------------------|
| PROJECT: HAA ALIF, COUNCIL BUILDING | TITLE: ROOF FRAME PLAN | ARCHITECTURAL CHECKER - | STRUCTURAL ENGINEER - |
| CLIENT: - | DRAFT BY: ISMAIL NILAM | STRUCTURAL CHECKER - | PROJECT NO. FLP/21/08 |
| | | ARCHITECT - | DATE 21/11/2021 |
| | | | SCALE AS GIVEN |
| | | | PAGE NO. AR-05 |



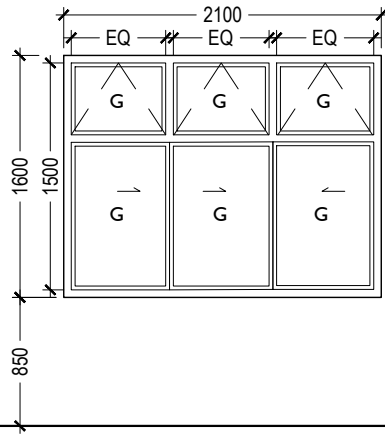
D1
SOLID TIMBER DOOR
900 X 2200
NO.S: 10



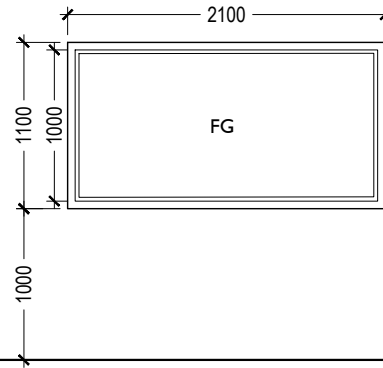
D2
ALUMINUM FRAMED DOOR
WITH FIXED ALUMINUM
COMPOSITE PANEL
800 X 2050
NO.S: 02



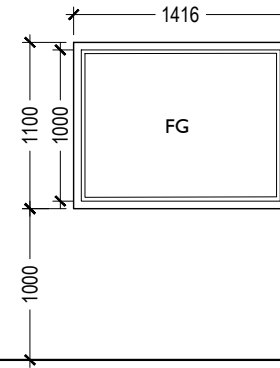
V1
ALUMINUM FRAMED WINDOW
WITH FIXED FROSTED GLASS
PANELS
700 X 700
NO.S: 03



W1
ALUMINUM FRAMED SLIDING
WINDOW WITH FIXED TINTED
GLASS PANELS
1600 X 2100
NO.S: 05



GP1
ALUMINUM FRAMED CLEAR FIXED
GLASS PANELS
1100 X 2100
NO.S: 01



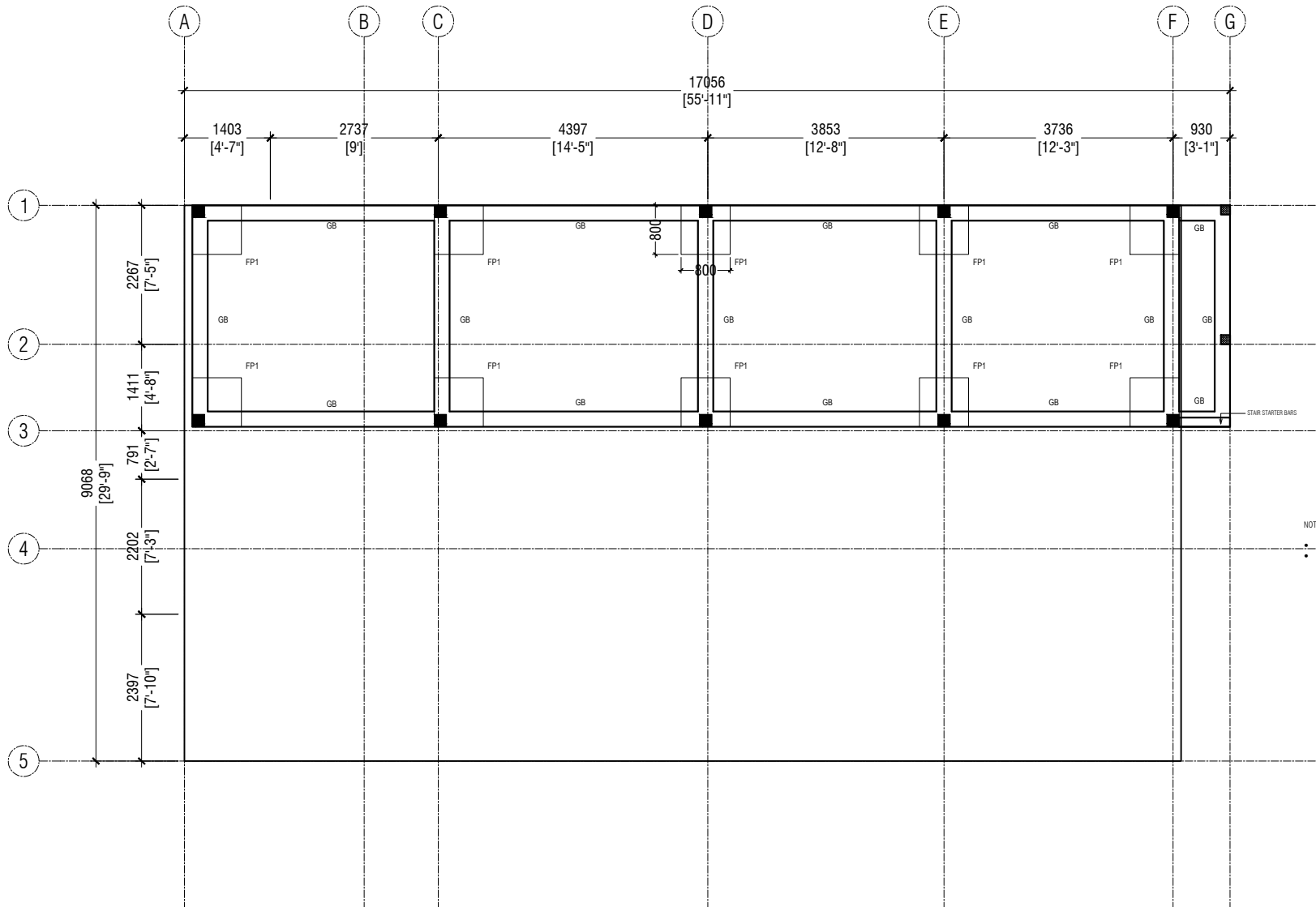
GP2
ALUMINUM FRAMED CLEAR FIXED
GLASS PANELS
1100 X 1416
NO.S: 03

DOOR WINDOW SCHEDULE

SCALE 1:50

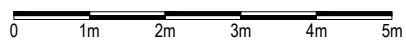


| | | | |
|---|---------------------------|----------------------------|--------------------------|
| PROJECT: HAA ALIF, COUNCIL BUILDING | TITLE: DOOR & WINDOW | ARCHITECTURAL CHECKER - | STRUCTURAL ENGINEER - |
| CLIENT: - | DRAFT BY: ISMAIL NILAM | STRUCTURAL CHECKER - | PROJECT NO. FLP/21/08 |
| | | ARCHITECT - | DATE 21/11/2021 |
| | | | SCALE AS GIVEN |
| | | | PAGE NO. AR-07 |

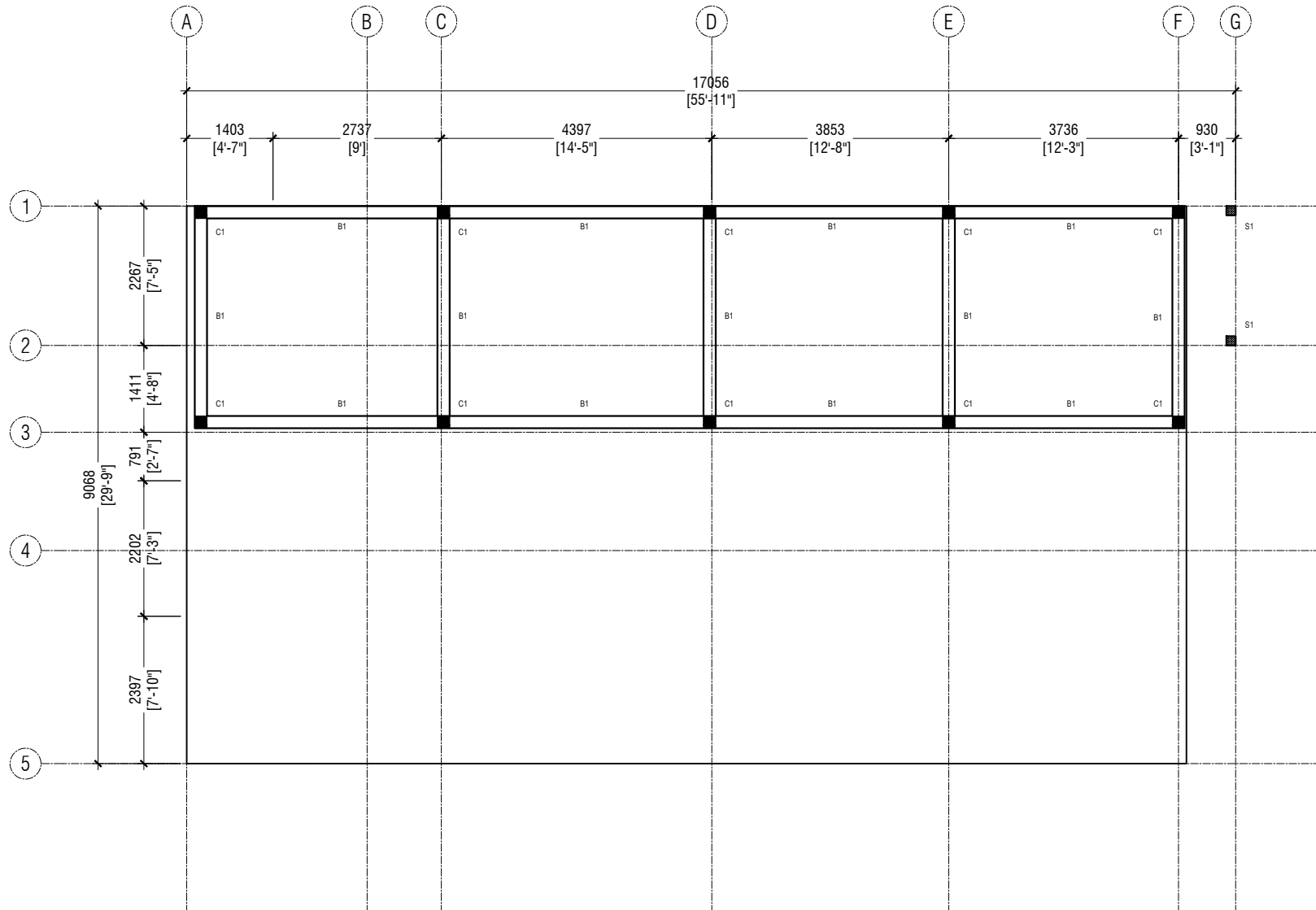


FOUNDATION PLAN

SCALE 1:100

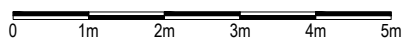


| | | | |
|---|---------------------------|----------------------------|--------------------------|
| PROJECT: HAA ALIF, COUNCIL BUILDING | TITLE: FOUNDATION PLAN | ARCHITECTURAL CHECKER — | STRUCTURAL ENGINEER — |
| CLIENT: — | DRAFT BY: ISMAIL NILAM | STRUCTURAL CHECKER — | PROJECT NO. FLP/21/08 |
| | | ARCHITECT — | DATE 21/11/2021 |
| | | | SCALE AS GIVEN |
| | | | PAGE NO. ST-01 |

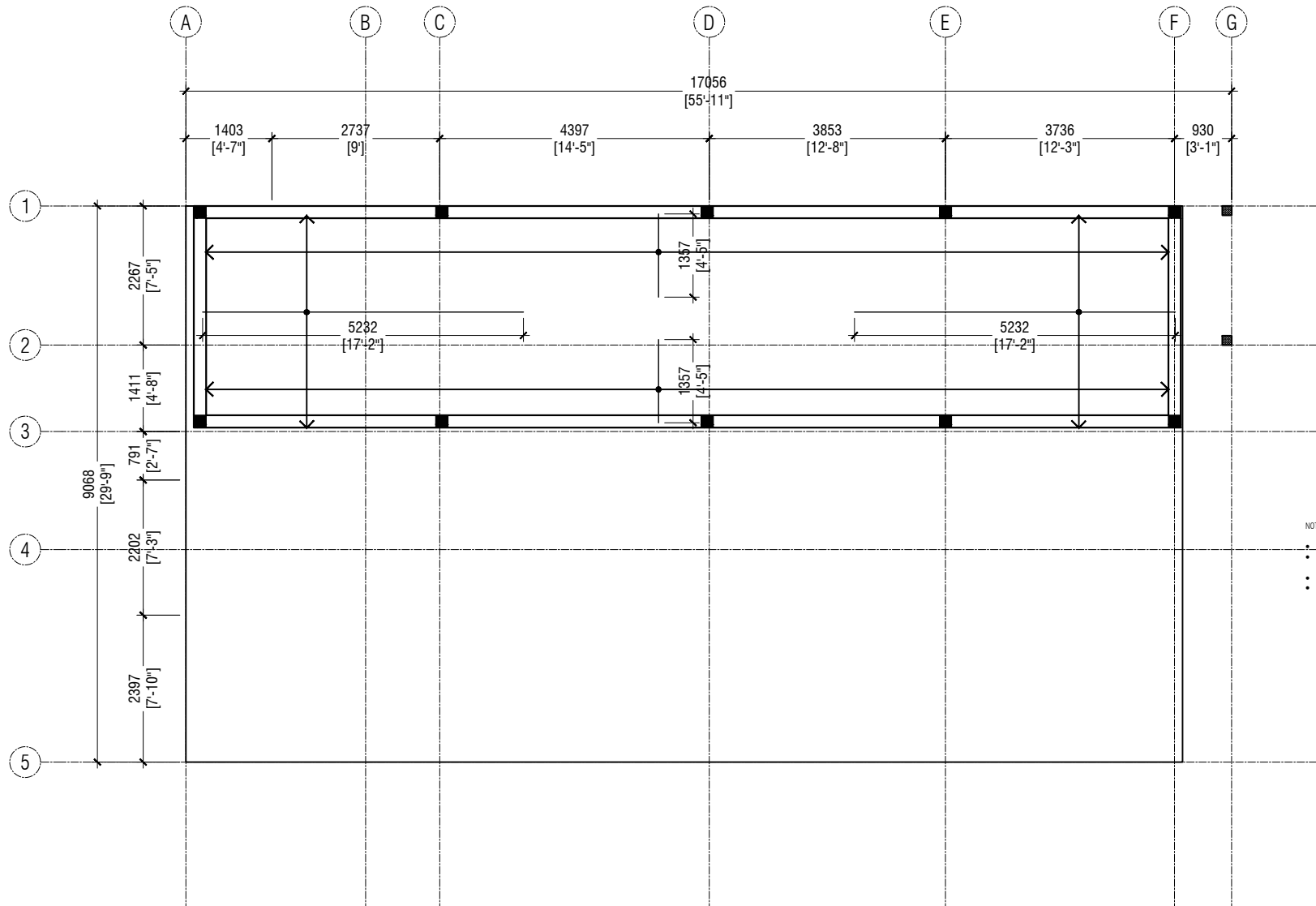


COLUMN & BEAM PLAN

SCALE 1:100



| | | | |
|---|----------------------------|----------------------------|--------------------------|
| PROJECT: HAA ALIF, COUNCIL BUILDING | TITLE: SLAB & BEAM PLAN | ARCHITECTURAL CHECKER — | STRUCTURAL ENGINEER — |
| CLIENT: — | DRAFT BY: ISMAIL NILAM | STRUCTURAL CHECKER — | PROJECT NO. FLP/21/08 |
| | | ARCHITECT — | DATE 21/11/2021 |
| | | | SCALE AS GIVEN |
| | | | PAGE NO. ST-02 |

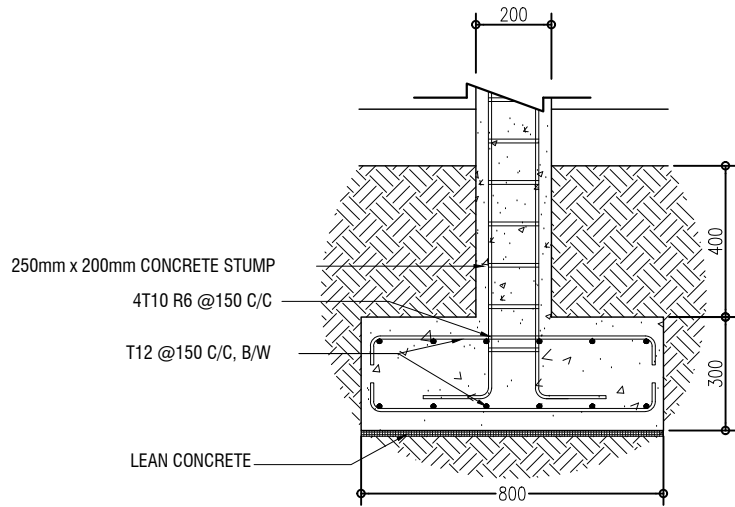


SLAB PLAN

SCALE 1:100



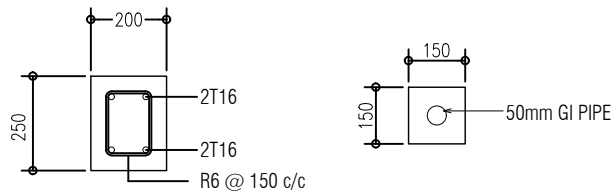
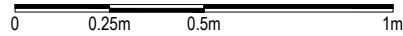
| | | | |
|---|---------------------------|----------------------------|--------------------------|
| PROJECT: HAA ALIF, COUNCIL BUILDING | TITLE: SLAB PLAN | ARCHITECTURAL CHECKER - | STRUCTURAL ENGINEER - |
| CLIENT: - | DRAFT BY: ISMAIL NILAM | STRUCTURAL CHECKER - | PROJECT NO. FLP/21/08 |
| | | ARCHITECT - | SCALE AS GIVEN |
| | | | DATE 21/11/2021 |
| | | | PAGE NO. ST-03 |



FOOTING (F1)
800X800X300

FOOTING DETAILS

SCALE 1:20

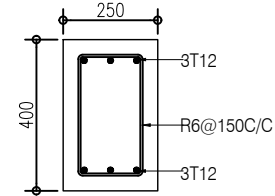
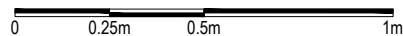


COLUMN (C1)

S1 (STIFFENER STEEL COLUMN)

COLUMN DETAILS

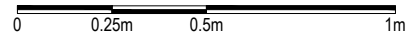
SCALE 1:20



GB

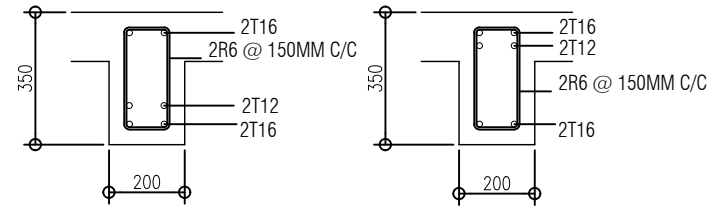
GROUND BEAM DETAILS

SCALE 1:20



Note:

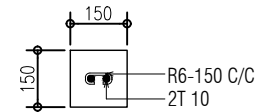
- Covers:
- Floor Beam = 35mm
- Beams bend-up bars = 12xØ
- Anchor bars = 45xØ
- Lapping bars = 45xØ
- Mid bars = 0.85 x span
- Support bars = 1/3 x span
- Concrete Mix = 1:2:3 (C:S:A)



MID SPAN



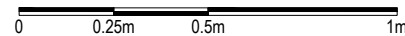
SUPPORT



LB (LINTEL BEAM)

BEAM DETAILS

SCALE 1:20



PROJECT:
HAA ALIF,
COUNCIL BUILDING

CLIENT:
—

TITLE:
DETAILS

DRAFT BY:
ISMAIL NILAM

ARCHITECTURAL CHECKER
—

STRUCTURAL CHECKER
—

ARCHITECT
—

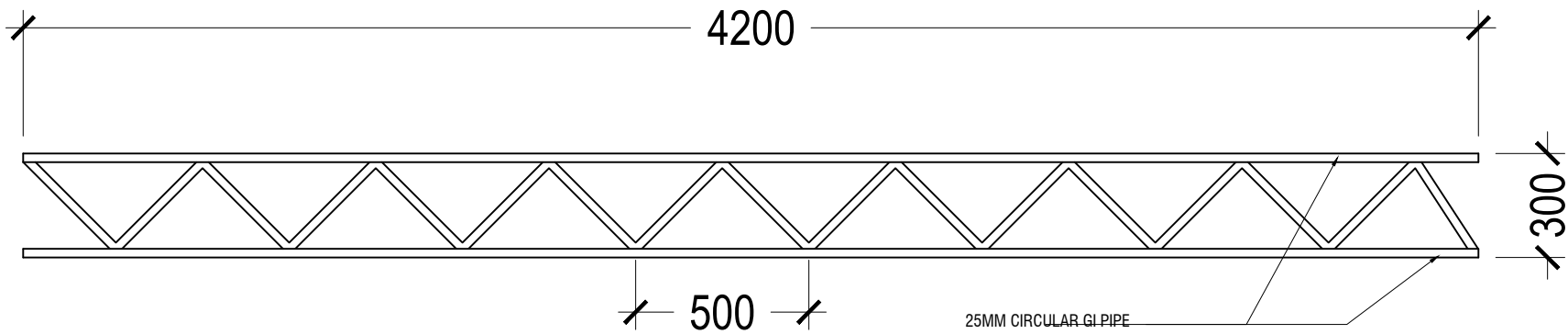
STRUCTURAL ENGINEER
—

PROJECT NO.
FLP/21/08

SCALE
AS GIVEN

DATE
21/11/2021

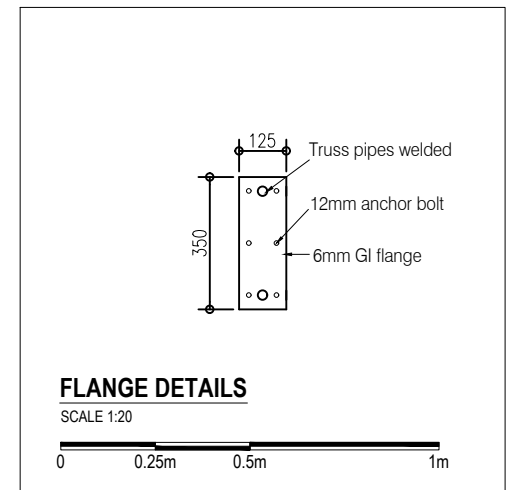
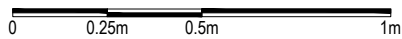
PAGE NO.
ST-04



NOTE: STEEL TRUSS TO BE ENCLOSED WITH A TIMBER FRAMING AND GYPSUM BOARD. FINISHED WITH PUTTY AND PAINT

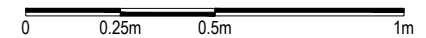
TRUSS DETAILS

SCALE 1:20



FLANGE DETAILS

SCALE 1:20



PROJECT:
HAA ALIF,
COUNCIL BUILDING

CLIENT:
-

TITLE:
DETAILS

DRAFT BY:
ISMAIL NILAM

ARCHITECTURAL CHECKER
-

STRUCTURAL CHECKER
-

ARCHITECT
-

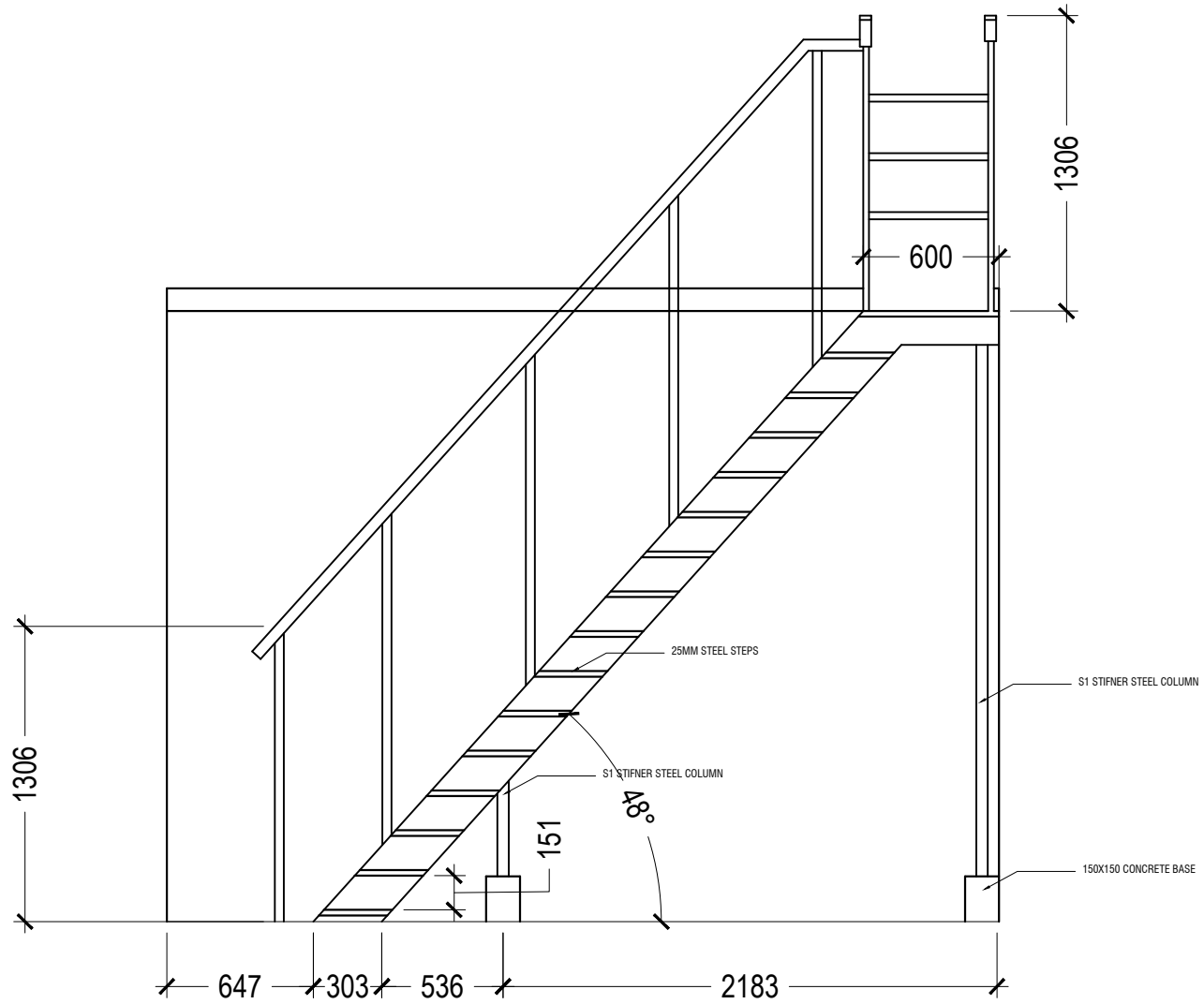
STRUCTURAL ENGINEER
-

PROJECT NO.
FLP/21/08

SCALE
AS GIVEN

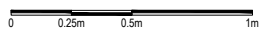
DATE
21/11/2021

PAGE NO.
ST-04



STAIRCASE DETAILS

SCALE N.T.S



| | | | |
|---|---------------------------|----------------------------|--------------------------|
| PROJECT: HAA ALIF, COUNCIL BUILDING | TITLE: DETAILS | ARCHITECTURAL CHECKER - | STRUCTURAL ENGINEER - |
| CLIENT: - | DRAFT BY: ISMAIL NILAM | STRUCTURAL CHECKER - | PROJECT NO. FLP/21/08 |
| | | ARCHITECT - | DATE 21/11/2021 |
| | | | SCALE AS GIVEN |
| | | | PAGE NO. ST-04 |